

# CEILING PANELS

## FLAT

designed by ARS

The Acoustic Ceiling Panels Collection, made out of PET-Felt, improves the acoustic performance of any room by removing the existing panels while also enhancing the aesthetic aspects.

The smooth design of the Flat Panels adds design interest to the ceiling area without lowering the ceiling height. This is a great option for spaces with low ceilings.

# ASKIA

[www.askiafurniture.ro](http://www.askiafurniture.ro)



## PRODUCT DETAILS

### Characteristics



Diffusion



Absorption

### Material

PET-Felt  
Weight: 2400 g/m<sup>2</sup>  
Thickness: 12 mm/0.4 inch

### Applications

Indoor areas only

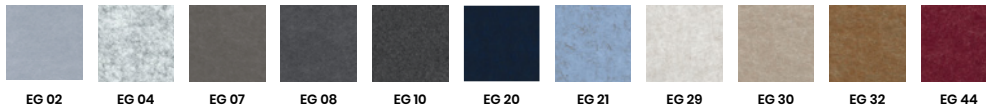
### Shipment

Flat pack

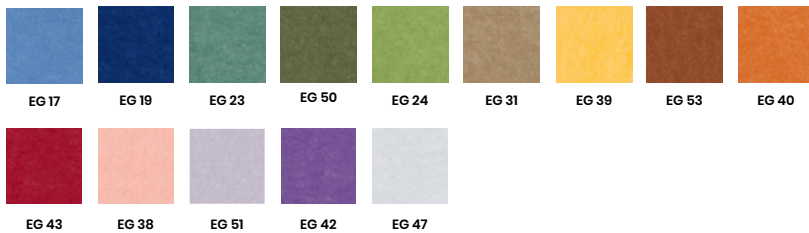
### Color

Slight color deviations may occur since the PET Felt panels are made from recycled fibers.

#### Standard



#### Non-Standard\*



\*A minimum quantity order is required for non-standard colors, for more details please check our online configurator.

### Fire Rating

B-s1, d0 classification  
ASTME84 Class A

### Environment

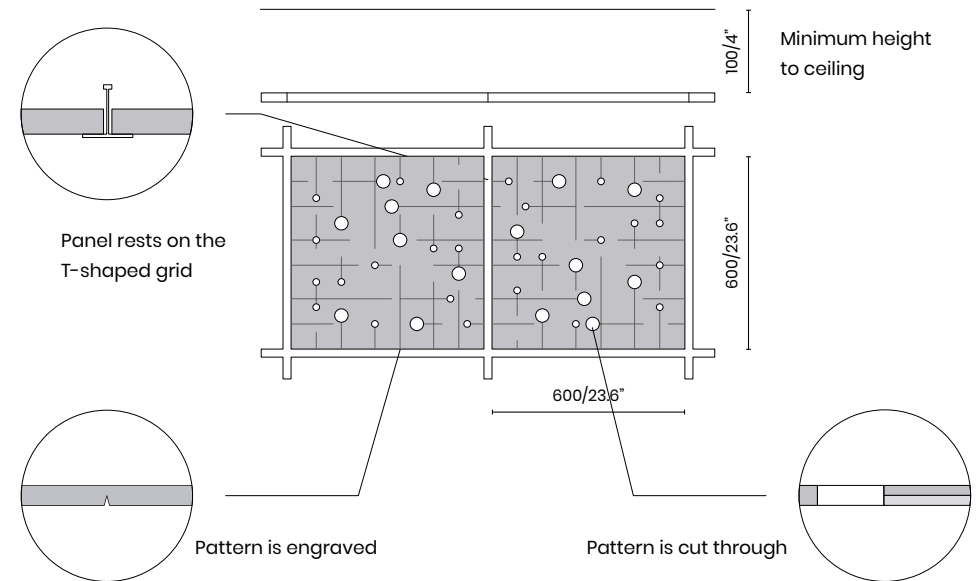
ASKIA PET is 50% recycled  
ASKIA PET is 100% recyclable  
Zero carbon manufacturing  
Low formaldehyde emission

### Installation

Our collection is compatible with Std T24mm/15/16"-600mm/23.6" and T15mm/9/16"-600mm/23.6" ceiling grids.

#### Resting on grid

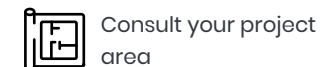
To install the panels, remove the old ones from the grid and insert the new panels. Depending on the selected design, you can adjust the orientation of the panels to create different compositions. For installation details, refer to the "Downloads - Assembly Instructions" section.



### Care Instructions

- Vacuum to remove dust.
- PET Felt is easy to clean and maintain. Most stains can be removed with water, then the material can be patted dry with a clean cloth.
- Never rub the PET Felt, as it can damage the material.
- Polyester carpet and fabric cleaners can be used. Always test an inconspicuous area first.

### How to order



Consult your project area

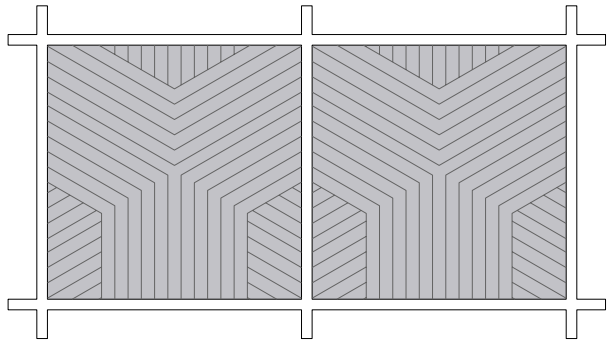


Decide how many panels you need

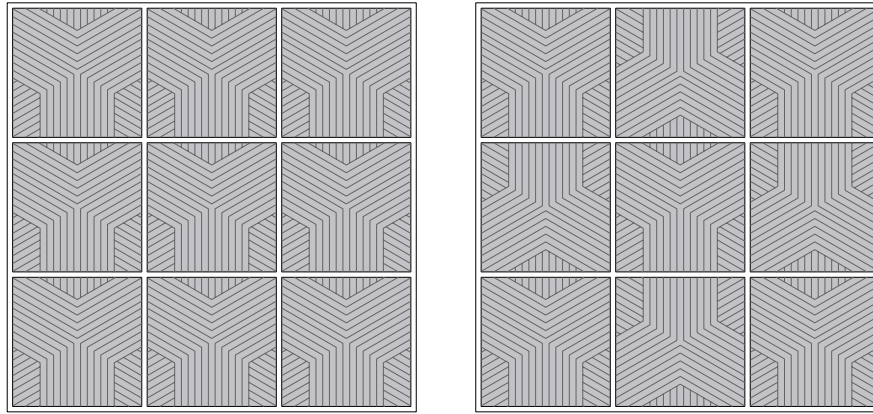


Use our configurator for orders

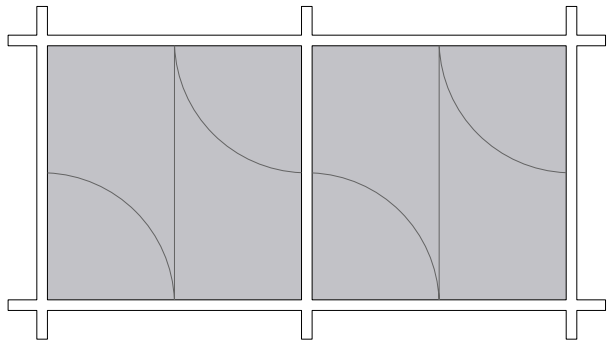
**FAVO**



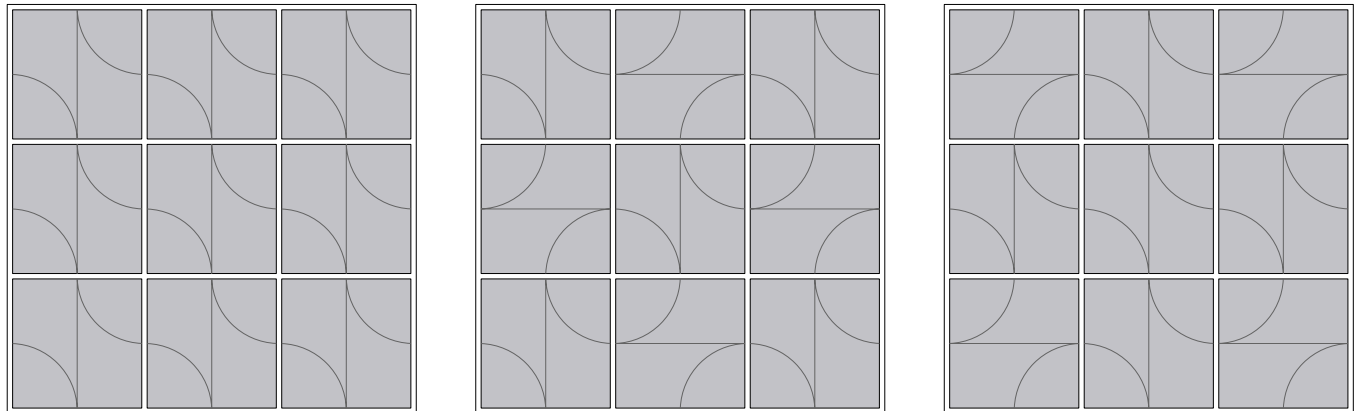
**LAYOUT EXAMPLE**



**VIA**

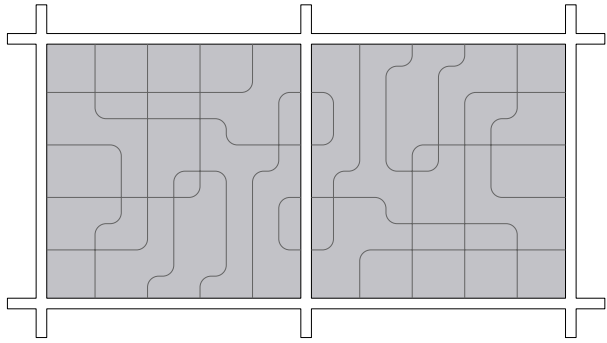


**LAYOUT EXAMPLE**



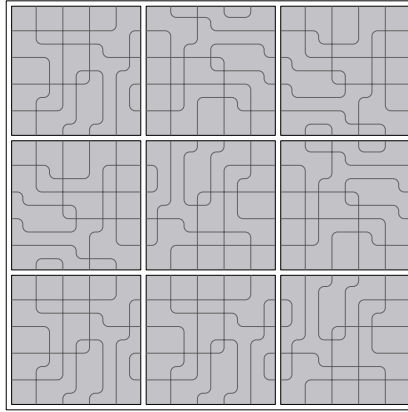
**INTERSECTIO**

---



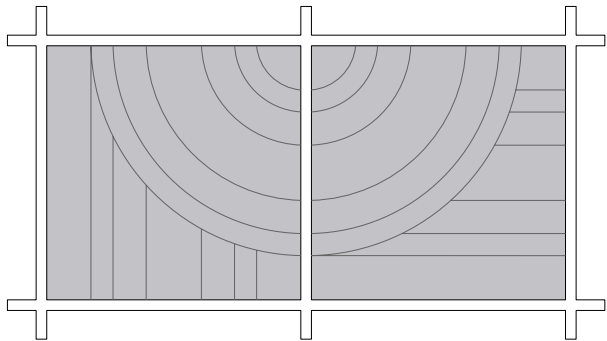
**LAYOUT EXAMPLE**

---



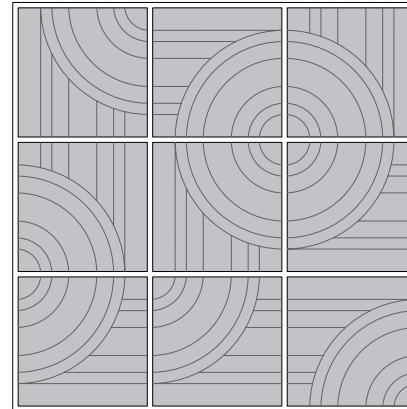
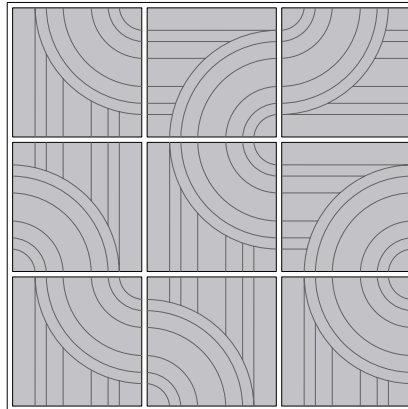
**IRIS**

---

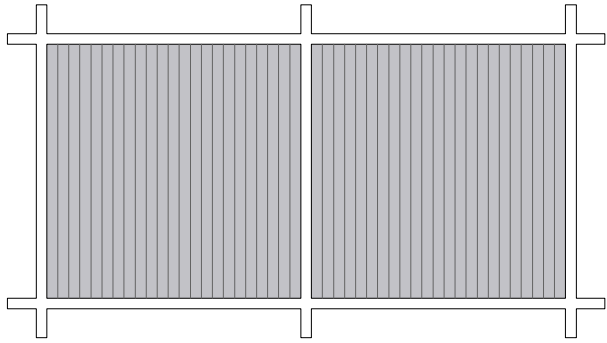


**LAYOUT EXAMPLE**

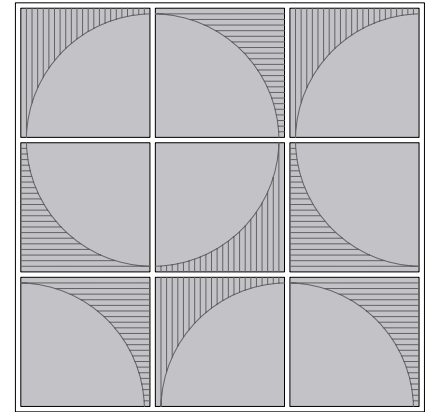
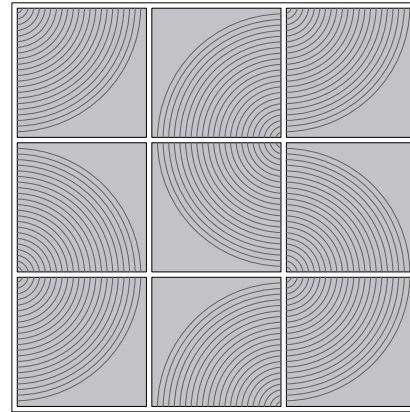
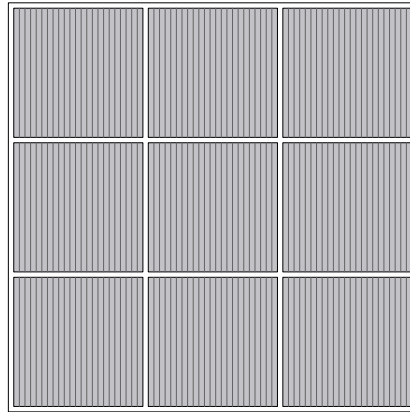
---



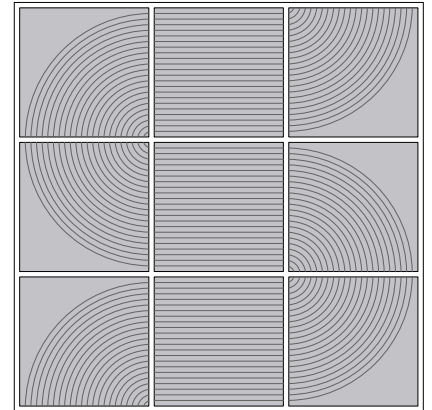
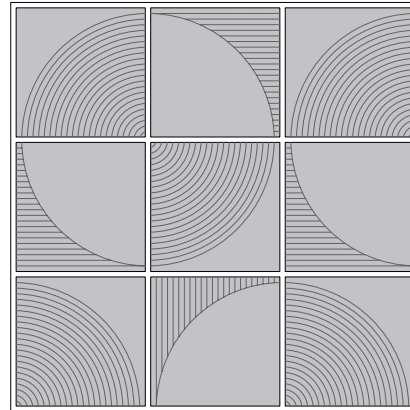
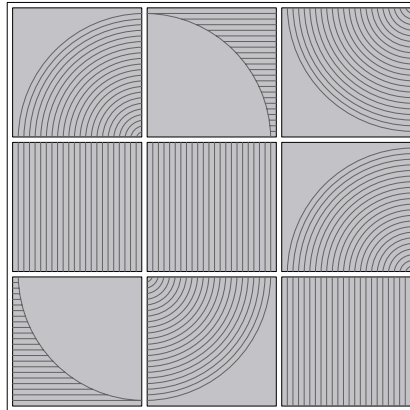
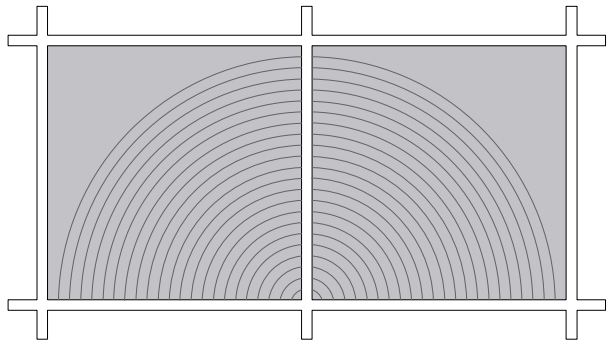
**ARCO 1**



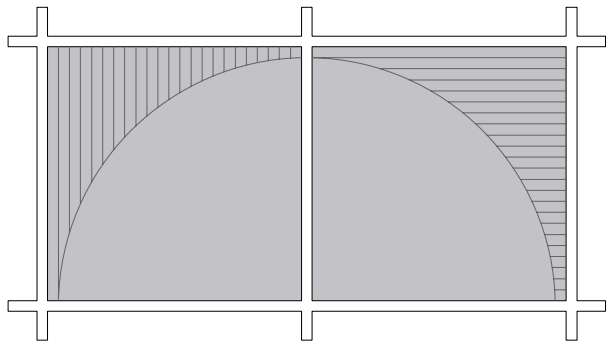
**LAYOUT EXAMPLE**



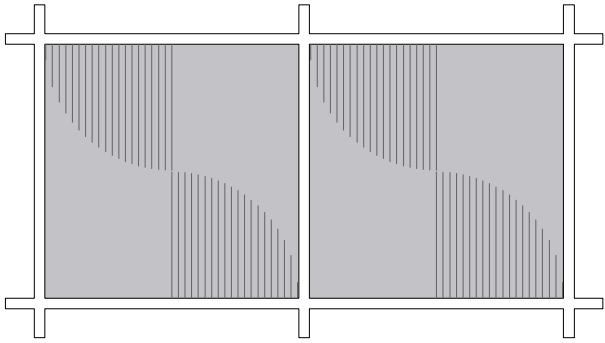
**ARCO 2**



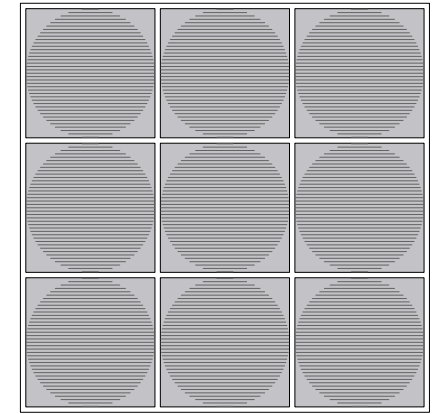
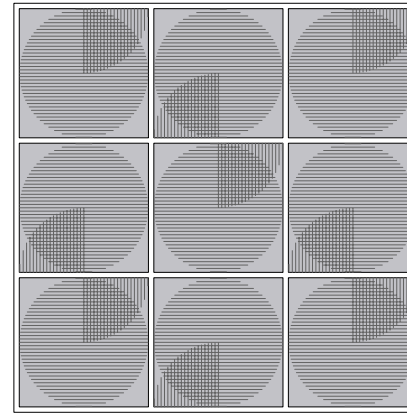
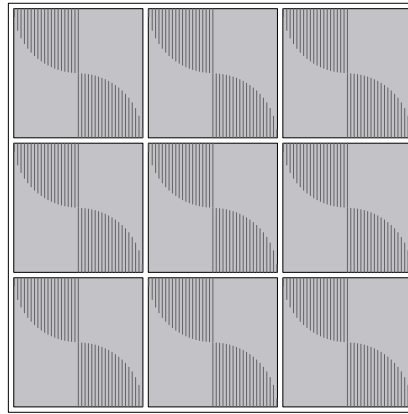
**ARCO 3**



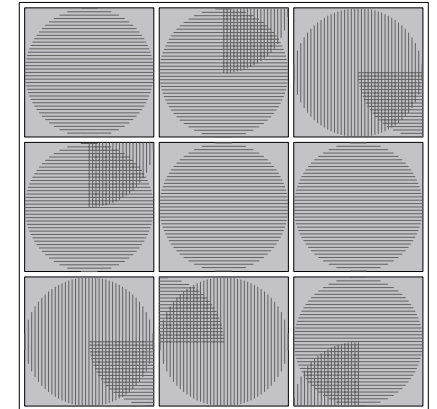
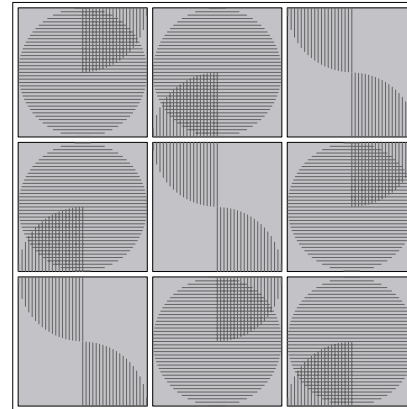
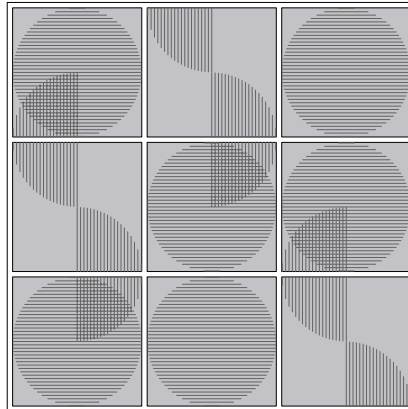
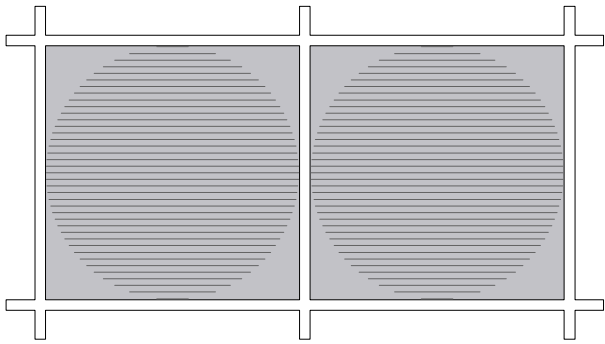
SOPRA 1



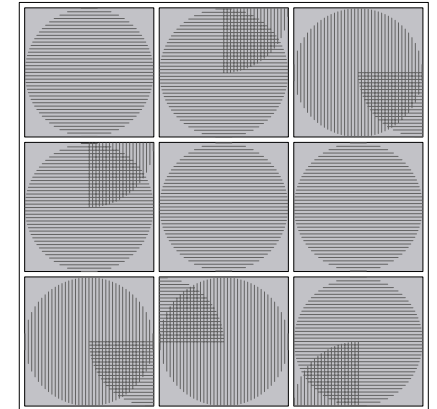
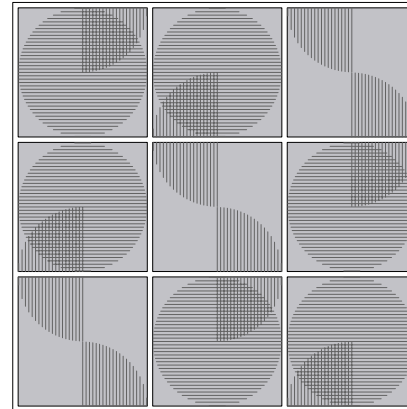
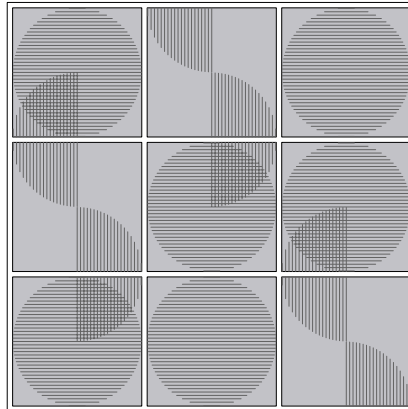
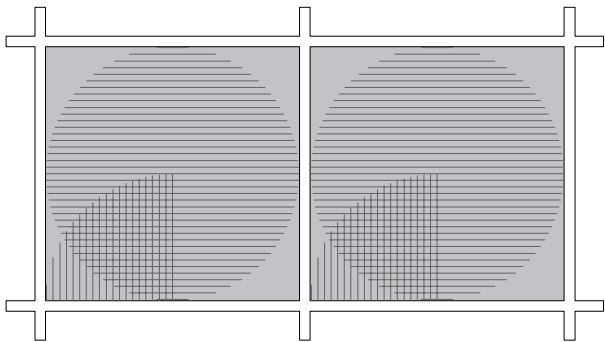
LAYOUT EXAMPLE



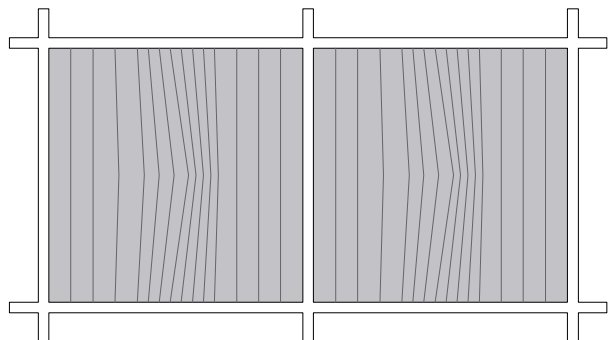
SOPRA 2



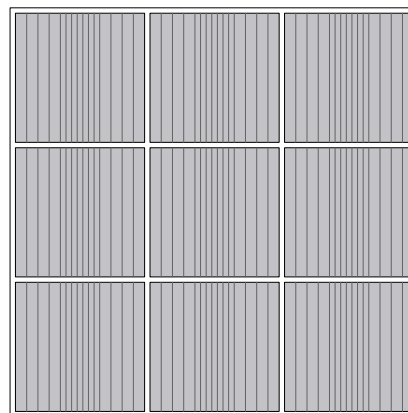
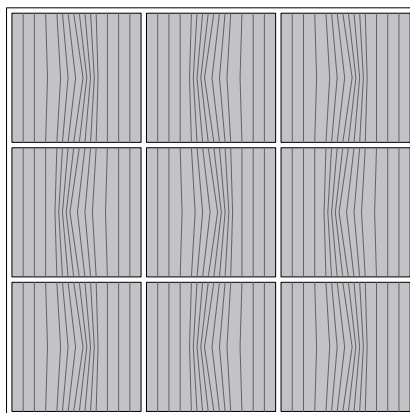
SOPRA 3



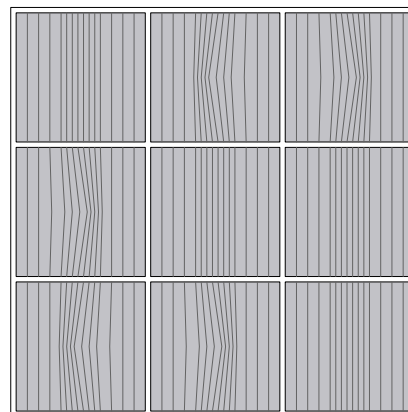
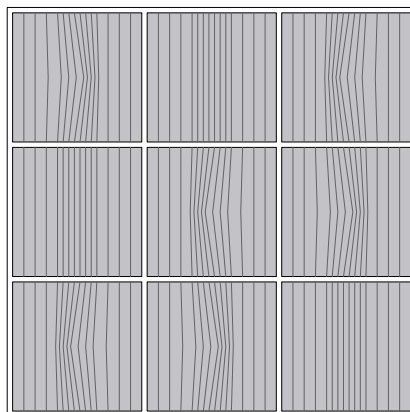
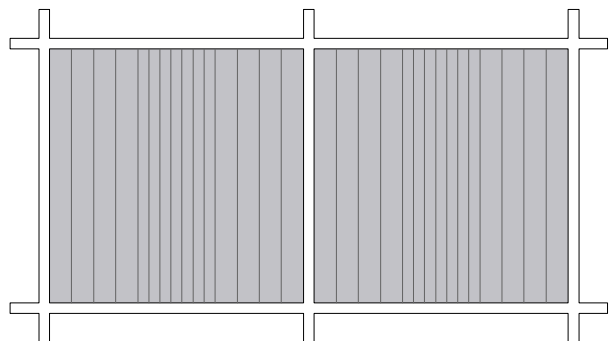
## ILLUSIO 1



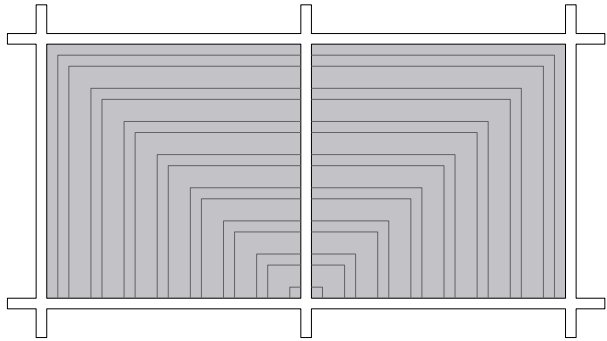
## LAYOUT EXAMPLE



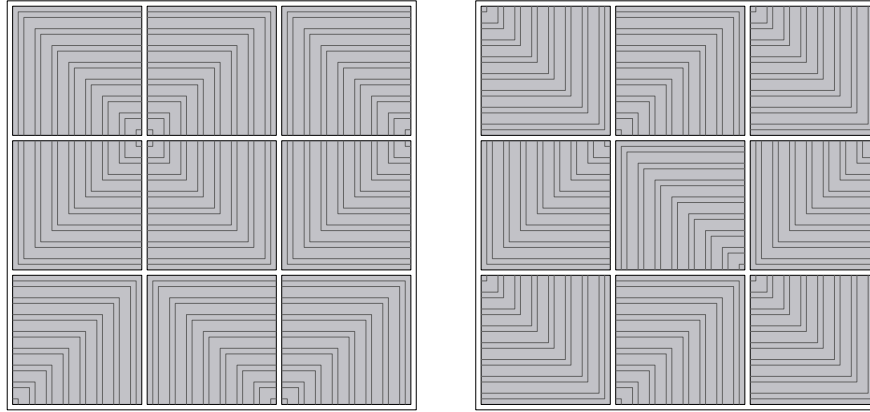
## ILLUSIO 2



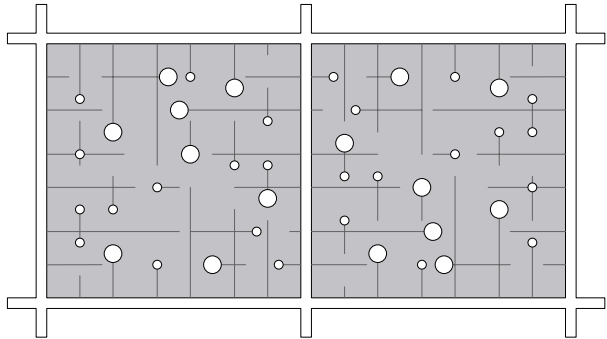
**RETE**



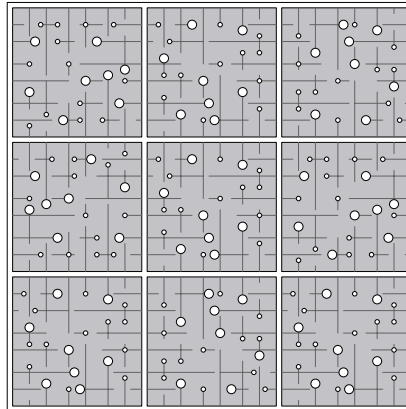
**LAYOUT EXAMPLE**



**DULCIS**

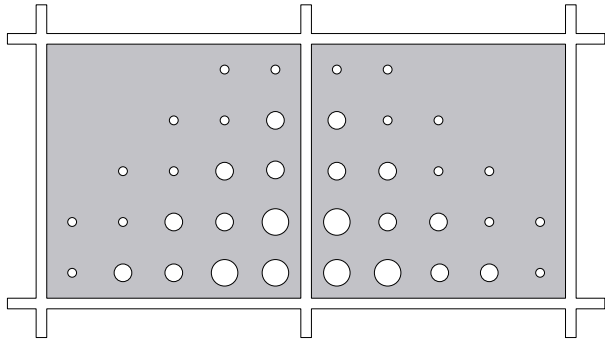


**LAYOUT EXAMPLE**

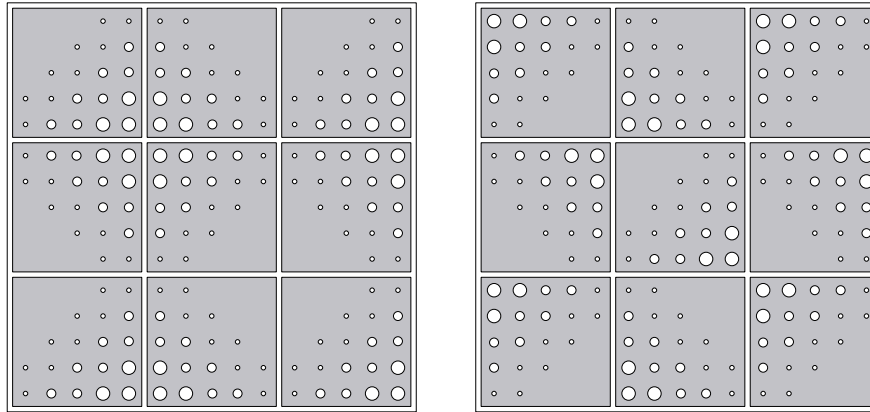




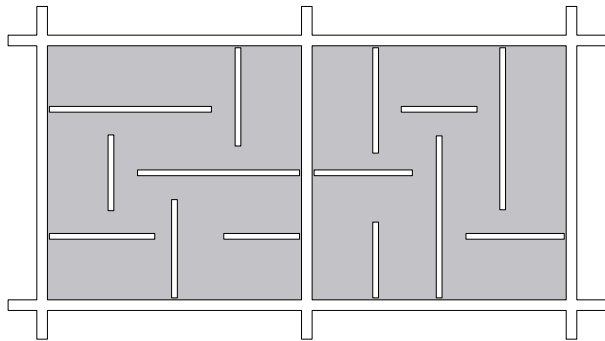
## DISPERGO



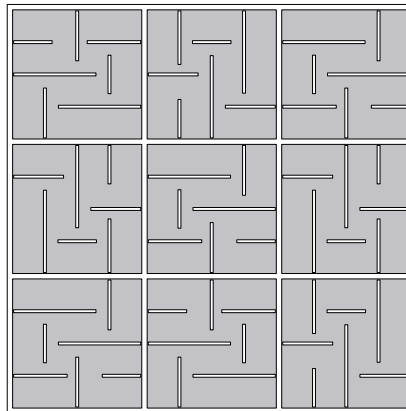
## LAYOUT EXAMPLE



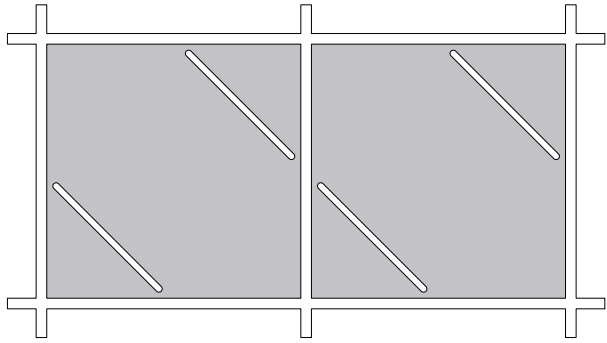
## ANGOLO 1



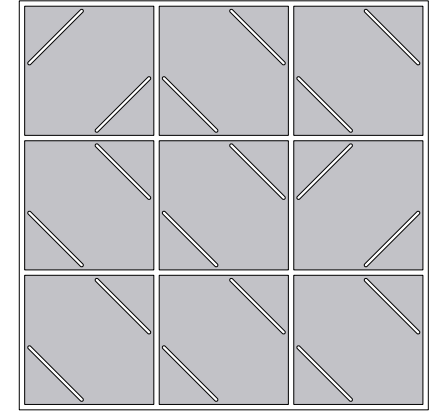
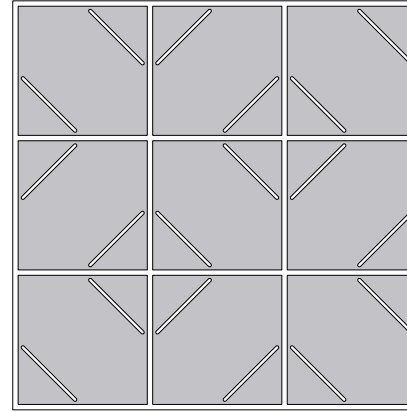
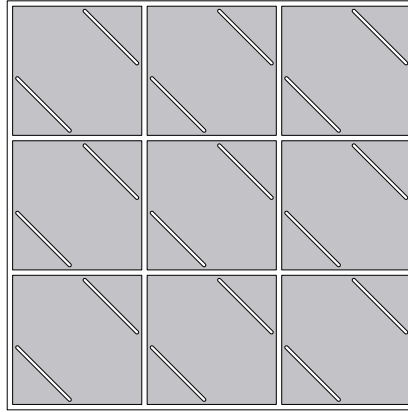
## LAYOUT EXAMPLE



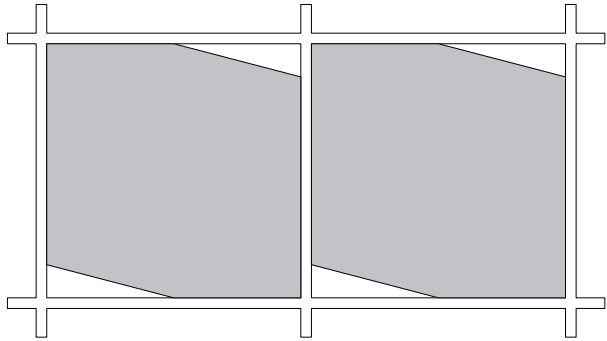
# TRANSVERSUS



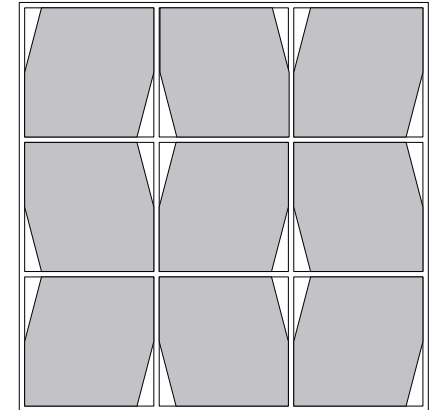
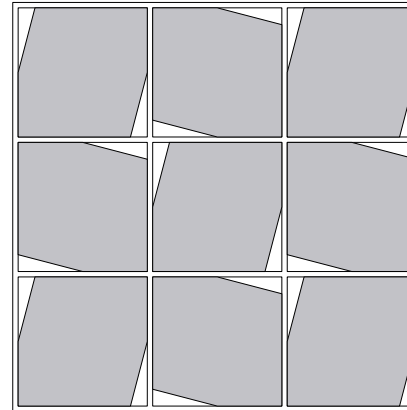
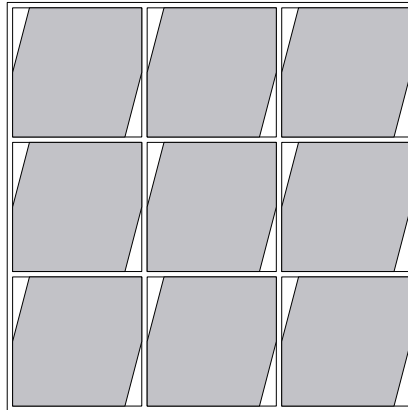
# LAYOUT EXAMPLE



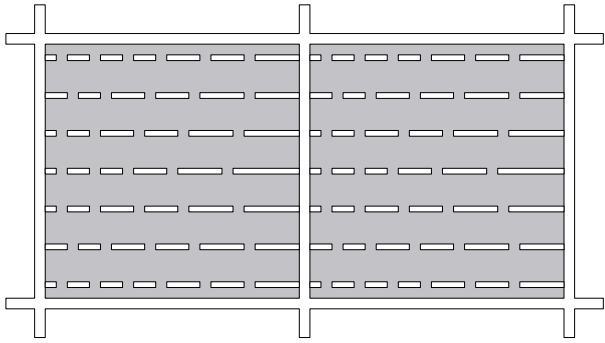
# SECARE



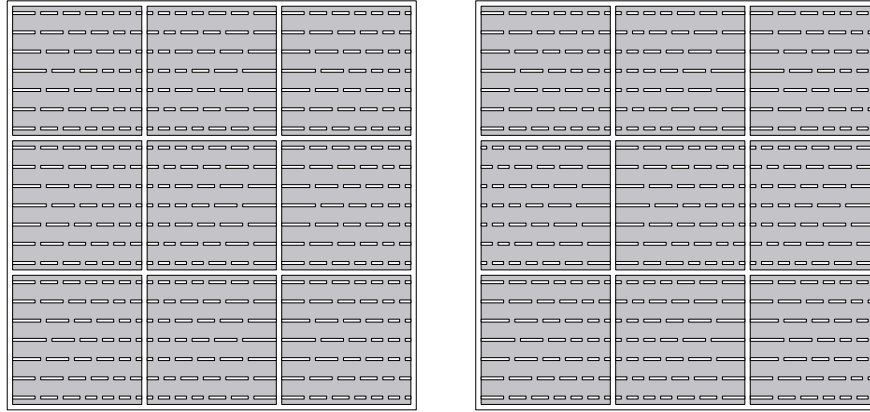
# LAYOUT EXAMPLE



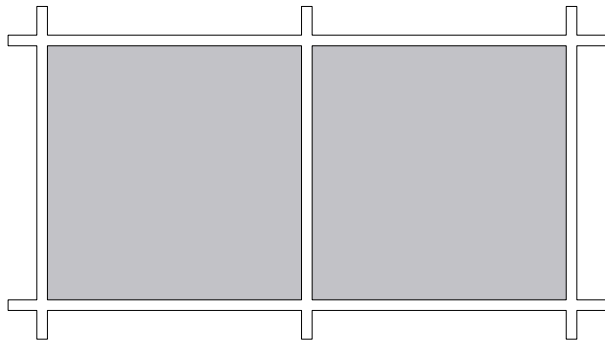
## CALEUM 1



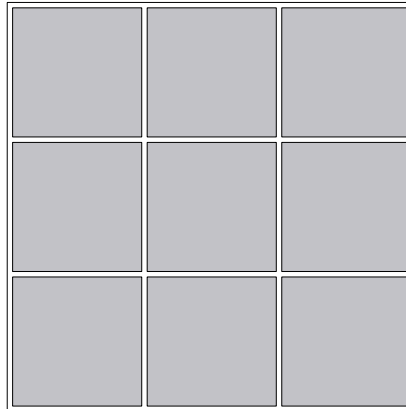
## LAYOUT EXAMPLE



## PLAIN



## LAYOUT EXAMPLE



# DATASHEET PET-FELT BOARD 12 MM

- Frequency range according to the standard
- Measured characteristics

