



MODESTY Screen

Design by ARS

The MODESTY SCREENS share the same qualities as our vertical screens, but with another purpose.

These screens offer more than a visual partition in your office, giving you, your own personal space while working, and separating the lower part of your desk from the rest.

www.askiafurniture.ro

ASKIA



DAILY MAINTENANCE

Use a damp cloth to clean the entire surface of the divider. Use a microfiber cloth when dry dusting. Use a light touch and do not rub the cloth forcibly over the surface. Always clean spills and water off with a clean dry cloth or paper towel.

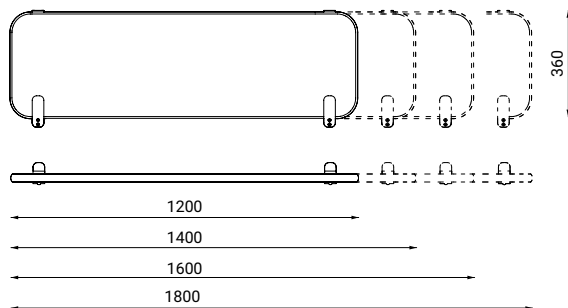
LONG TERM MAINTENANCE

Avoid the use of scourers or bleaches. Use a humidifier. Use a hygrometer. Always move it with care.

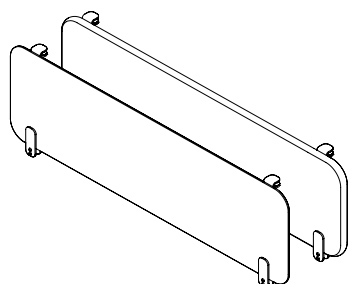
SHIPPING

Flat pack.

DIMENSIONS



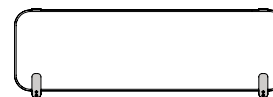
SCREEN STRUCTURE / BASE TYPE



Structure	Chipboard / Acoustic PET Felt / Thermoformed Acoustic PET Felt
Base type	Modesty clamps

MATERIALS

Base



Screen



BASE / ACCESORIES COLOURS



B07
9003



B06
7040



B04
9005

SCREEN COLOURS

Polyester	● Class A - Torino A01 (9201)	● Class A - Torino A07 (9616)
	● Class A - Torino A02 (9203)	● Class A - Torino A08 (9702)
	● Class A - Torino A03 (9306)	● Class A - Torino A09 (9706)
	● Class A - Torino A04 (9406)	● Class A - Torino A10 (9717)
	● Class A - Torino A05 (9501)	● Class A - Torino A11 (9801)
	● Class A - Torino A06 (9602)	

Polyester	● Class A - Jet A12 (1106)	● Class A - Jet A18 (7025)
	● Class A - Jet A13 (3036)	● Class A - Jet A19 (7041)
	● Class A - Jet A14 (4027)	● Class A - Jet A20 (8009)
	● Class A - Jet A15 (6007)	● Class A - Jet A21 (9304)
	● Class A - Jet A16 (6013)	● Class A - Jet A22 (9281)
	● Class A - Jet A17 (6014)	● Class A - Jet A23 (9804)

Polyester	● Class A - One A24 (1006)	● Class A - One A30 (8532)
	● Class A - One A25 (3007)	● Class A - One A31 (7521)
	● Class A - One A26 (4030)	● Class A - One A32 (7026)
	● Class A - One A27 (4037)	● Class A - One A33 (6091)
	● Class A - One A28 (4067)	
	● Class A - One A29 (4028)	

Wool	● Class C - Lanee Melange C01 (WM101)	● Class C - Lanee Melange C07 (WM126)
	● Class C - Lanee Melange C02 (WM103)	● Class C - Lanee Melange C08 (WM132)
	● Class C - Lanee Melange C03 (WM111)	● Class C - Lanee Melange C09 (WM133)
	● Class C - Lanee Melange C04 (WM112)	● Class C - Lanee Melange C10 (WM139)
	● Class C - Lanee Melange C05 (WM120)	● Class C - Lanee Melange C11 (WM140)
	● Class C - Lanee Melange C06 (WM125)	● Class C - Lanee Melange C12 (WM142)

Polyester	● Class C - Aspect C13 (WM101)	● Class C - Aspect C19 (WM126)
	● Class C - Aspect C14 (WM103)	● Class C - Aspect C20 (WM132)
	● Class C - Aspect C15 (WM111)	● Class C - Aspect C21 (WM133)
	● Class C - Aspect C16 (WM112)	● Class C - Aspect C22 (WM139)
	● Class C - Aspect C17 (WM120)	
	● Class C - Aspect C18 (WM125)	

Polyester	● Class E - Synergy E01 (WM101)	● Class E - Synergy E07 (WM126)
	● Class E - Synergy E02 (WM103)	● Class E - Synergy E08 (WM132)
	● Class E - Synergy E03 (WM111)	● Class E - Synergy E09 (WM133)
	● Class E - Synergy E04 (WM112)	● Class E - Synergy E10 (WM139)
	● Class E - Synergy E05 (WM120)	
	● Class E - Synergy E06 (WM125)	