



# MODESTY Screen

Design by ARS

The MODESTY SCREENS share the same qualities as our vertical screens, but with another purpose.

These screens offer more than a visual partition in your office, giving you, your own personal space while working, and separating the lower part of your desk from the rest.

[www.askiafurniture.ro](http://www.askiafurniture.ro)

**ASKIA**



## DAILY MAINTENANCE

Use a damp cloth to clean the entire surface of the divider. Use a microfiber cloth when dry dusting. Use a light touch and do not rub the cloth forcibly over the surface. Always clean spills and water off with a clean dry cloth or paper towel.

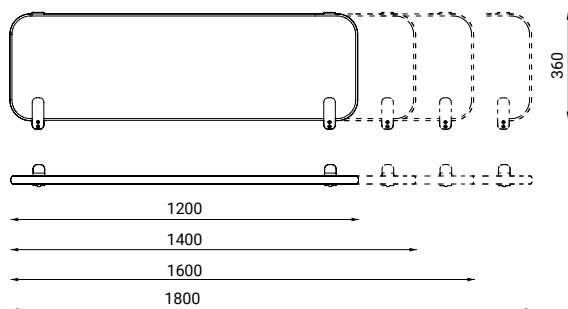
## LONG TERM MAINTENANCE

Avoid the use of scourers or bleaches. Use a humidifier. Use a hygrometer. Always move it with care.

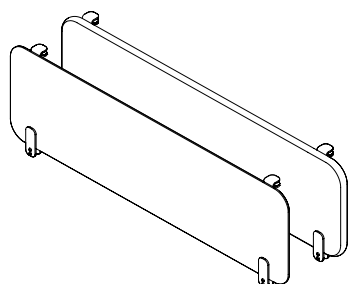
## SHIPPING

Flat pack.

## DIMENSIONS



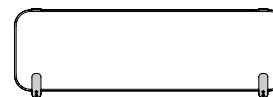
## SCREEN STRUCTURE / BASE TYPE



Structure	Chipboard / Acoustic PET Felt / Thermoformed Acoustic PET Felt
Base type	Modesty clamps

## MATERIALS

Base



Screen



## BASE / ACCESORIES COLOURS



**B07**  
9003



**B06**  
7040



**B04**  
9005

## SCREEN COLOURS

Polyester	<ul style="list-style-type: none"> <li>Class A - Torino   A01 (9201)</li> <li>Class A - Torino   A02 (9203)</li> <li>Class A - Torino   A03 (9306)</li> <li>Class A - Torino   A04 (9406)</li> <li>Class A - Torino   A05 (9501)</li> <li>Class A - Torino   A06 (9602)</li> </ul>	<ul style="list-style-type: none"> <li>Class A - Torino   A07 (9616)</li> <li>Class A - Torino   A08 (9702)</li> <li>Class A - Torino   A09 (9706)</li> <li>Class A - Torino   A10 (9717)</li> <li>Class A - Torino   A11 (9801)</li> </ul>
	<ul style="list-style-type: none"> <li>Class A - Jet   A12 (1106)</li> <li>Class A - Jet   A13 (3036)</li> <li>Class A - Jet   A14 (4027)</li> <li>Class A - Jet   A15 (6007)</li> <li>Class A - Jet   A16 (6013)</li> <li>Class A - Jet   A17 (6014)</li> </ul>	<ul style="list-style-type: none"> <li>Class A - Jet   A18 (7025)</li> <li>Class A - Jet   A19 (7041)</li> <li>Class A - Jet   A20 (8009)</li> <li>Class A - Jet   A21 (9304)</li> <li>Class A - Jet   A22 (9281)</li> <li>Class A - Jet   A23 (9804)</li> </ul>
Polyester	<ul style="list-style-type: none"> <li>Class A - One   A24 (1006)</li> <li>Class A - One   A25 (3007)</li> <li>Class A - One   A26 (4030)</li> <li>Class A - One   A27 (4037)</li> <li>Class A - One   A28 (4067)</li> <li>Class A - One   A29 (4028)</li> </ul>	<ul style="list-style-type: none"> <li>Class A - One   A30 (8532)</li> <li>Class A - One   A31 (7521)</li> <li>Class A - One   A32 (7026)</li> <li>Class A - One   A33 (6091)</li> </ul>
	<ul style="list-style-type: none"> <li>Class C - Lanee Melange   C01 (WM101)</li> <li>Class C - Lanee Melange   C02 (WM103)</li> <li>Class C - Lanee Melange   C03 (WM111)</li> <li>Class C - Lanee Melange   C04 (WM112)</li> <li>Class C - Lanee Melange   C05 (WM120)</li> <li>Class C - Lanee Melange   C06 (WM125)</li> </ul>	<ul style="list-style-type: none"> <li>Class C - Lanee Melange   C07 (WM126)</li> <li>Class C - Lanee Melange   C08 (WM132)</li> <li>Class C - Lanee Melange   C09 (WM133)</li> <li>Class C - Lanee Melange   C10 (WM139)</li> <li>Class C - Lanee Melange   C11 (WM140)</li> <li>Class C - Lanee Melange   C12 (WM142)</li> </ul>
Polyester	<ul style="list-style-type: none"> <li>Class C - Aspect   C13 (WM101)</li> <li>Class C - Aspect   C14 (WM103)</li> <li>Class C - Aspect   C15 (WM111)</li> <li>Class C - Aspect   C16 (WM112)</li> <li>Class C - Aspect   C17 (WM120)</li> <li>Class C - Aspect   C18 (WM125)</li> </ul>	<ul style="list-style-type: none"> <li>Class C - Aspect   C19 (WM126)</li> <li>Class C - Aspect   C20 (WM132)</li> <li>Class C - Aspect   C21 (WM133)</li> <li>Class C - Aspect   C22 (WM139)</li> </ul>
	<ul style="list-style-type: none"> <li>Class E - Synergy   E01 (WM101)</li> <li>Class E - Synergy   E02 (WM103)</li> <li>Class E - Synergy   E03 (WM111)</li> <li>Class E - Synergy   E04 (WM112)</li> <li>Class E - Synergy   E05 (WM120)</li> <li>Class E - Synergy   E06 (WM125)</li> </ul>	<ul style="list-style-type: none"> <li>Class E - Synergy   E07 (WM126)</li> <li>Class E - Synergy   E08 (WM132)</li> <li>Class E - Synergy   E09 (WM133)</li> <li>Class E - Synergy   E10 (WM139)</li> </ul>