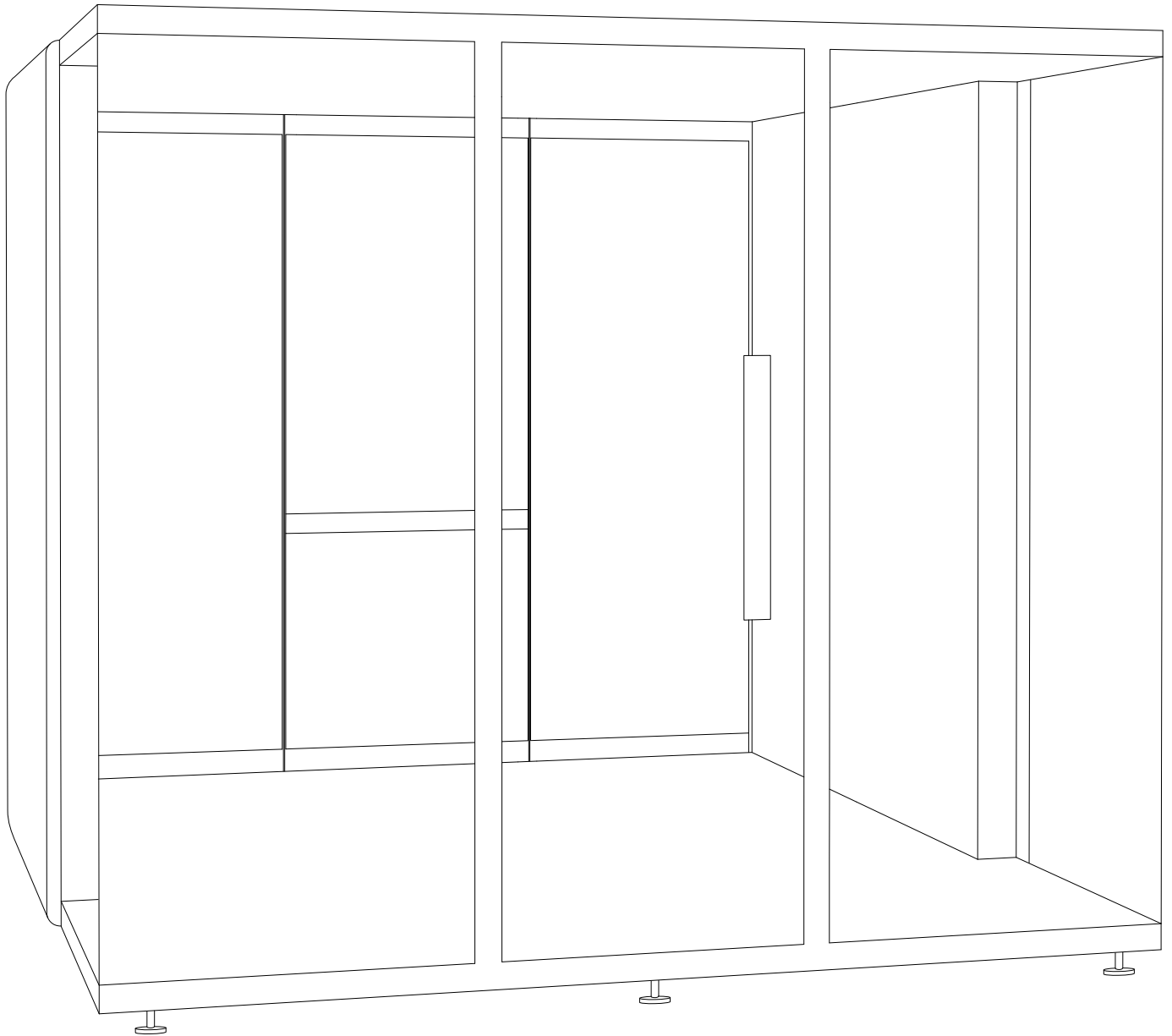


# Kameleon K7 Glass

ASSEMBLY INSTRUCTIONS



**ASKIA**  
ACOUSTIC PODS

# Info.


## ASSEMBLY INSTRUCTIONS


**1 2 3** Steps.


**A B C** Bag with screws.


 Unlocked.


 Lock.


 Level check.

 Allen key needed.


 Allen key and screws needed.


 T-Handle hex key needed.

 T-Handle hex key and screws needed.

 Position the door on pins.

 Screwdriver needed.


 Power Drill needed.

 Move in place.


 Whiteboard.

 Pinboard.

 VESA Adapter.


 Main Ethernet coupling.


 Main Power supply.


 Ventilation coupling.

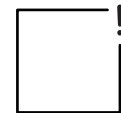
 Power coupling.


 Ethernet coupling.

 Lighting coupling.


 Motion sensor coupling.


 Magnetic coupling element.

 Pay attention to.

 Pay attention to.

 Do.

 Don't.

 Pay attention not to break the glass.

 Ok.

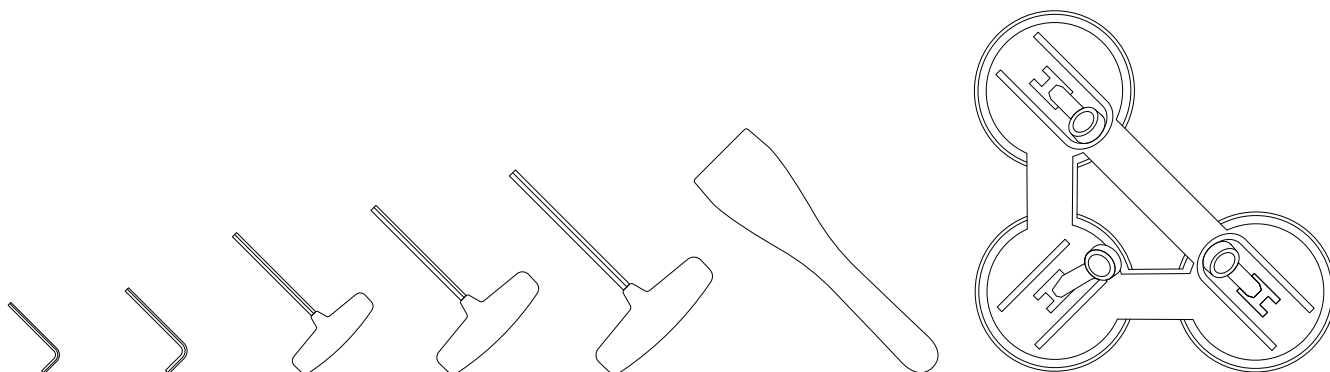
 Stop.

---

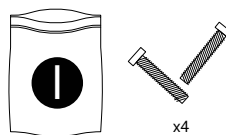
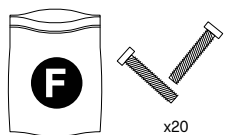
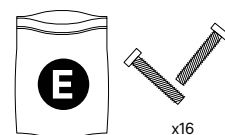
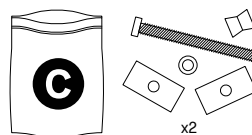
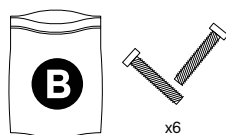
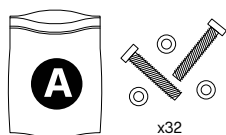
# Assembly in 225 min. with 3 people

---

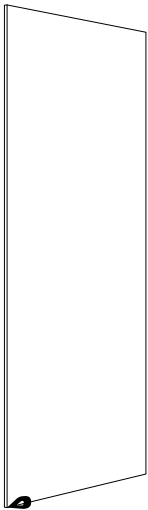
## Included



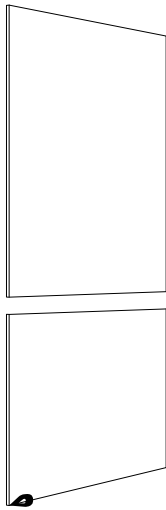
x1 Allen Key 2   x1 Allen Key 3   x1 T-Handle Hex Key 4   x1 T-Handle Hex Key 5   x1 T-Handle Hex Key 7   x1 Ceiling Panels Adjuster   x2 Suction cups



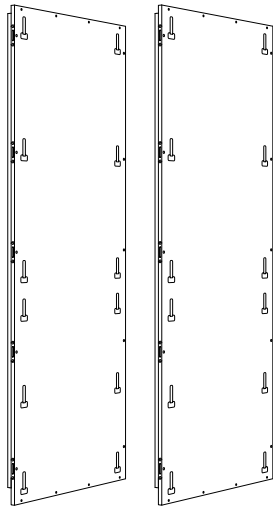
# Elements



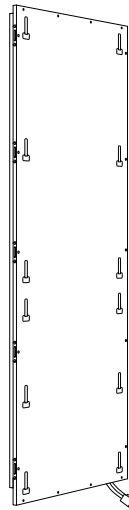
x2 Back Panels



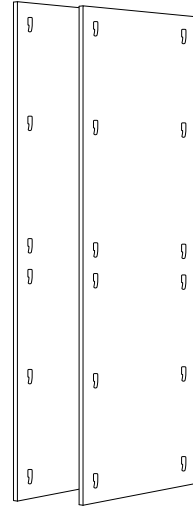
x2 Middle Back Panels



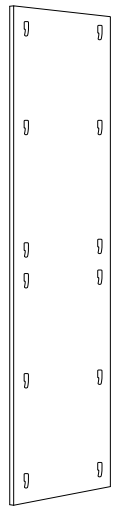
x2 Back Structure Panels



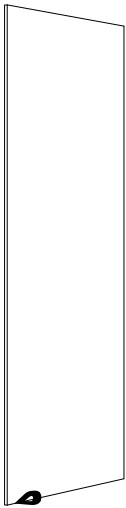
x1 Middle Structure Panel



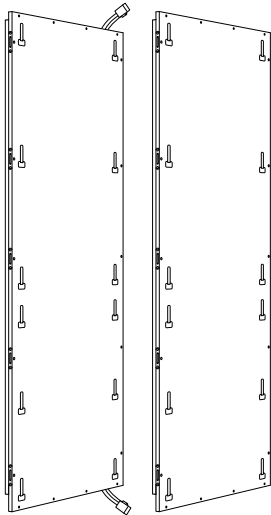
x2 Exterior Back Panels



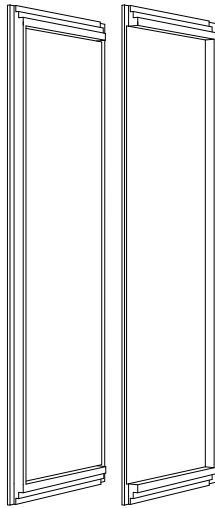
x1 Exterior Middle Panel



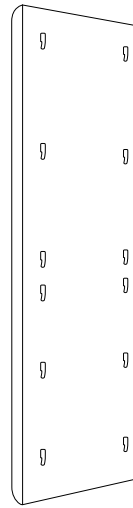
x4 Interior Panels



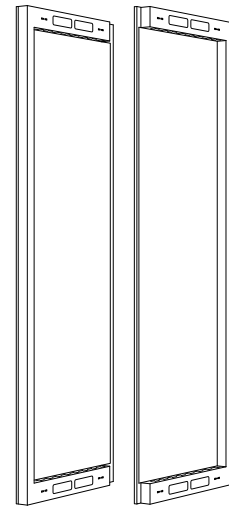
x2 Left & x2 Right Structure Panels



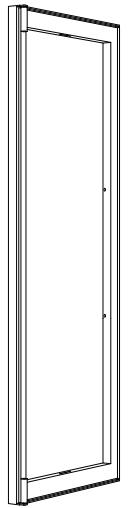
x1 Left & x1 Right Glass Panels



x4 Exterior Panels

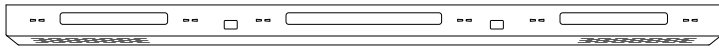


x1 Left & x1 Right Front Glass Walls

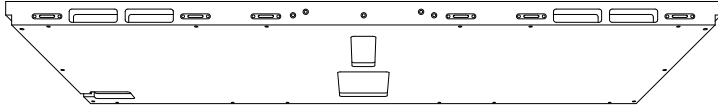


x1 Door Frame

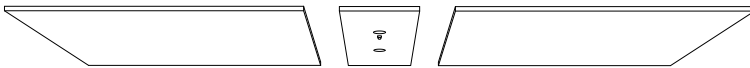
# Elements



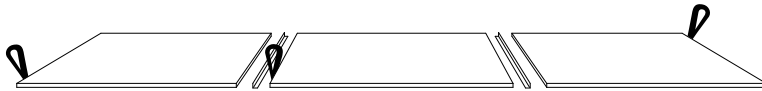
x2 Ceiling Coupling connection



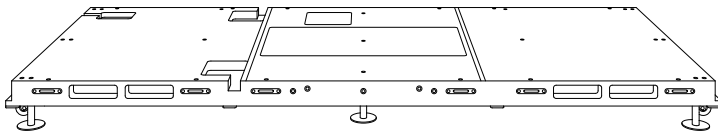
x3 Ceiling



x9 Acoustic Felt Ceiling Panels



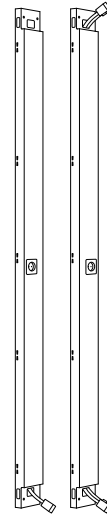
x9 Carpet, x6 Dividers



x3 Floor



x2 Floor Coupling connection



x1 Left Coupling connection,  
x1 Left (with two sets of cables)  
& x2 Right Coupling connections

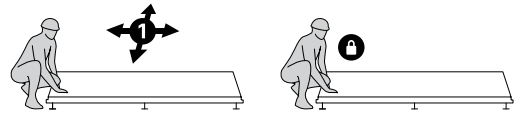
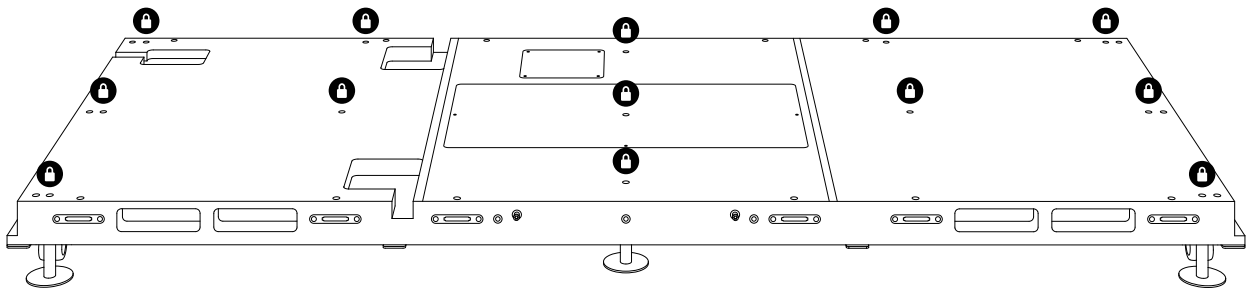


x2 Media adjuster

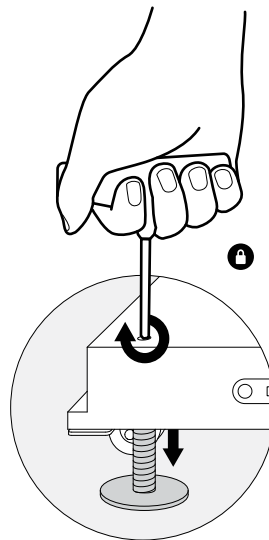
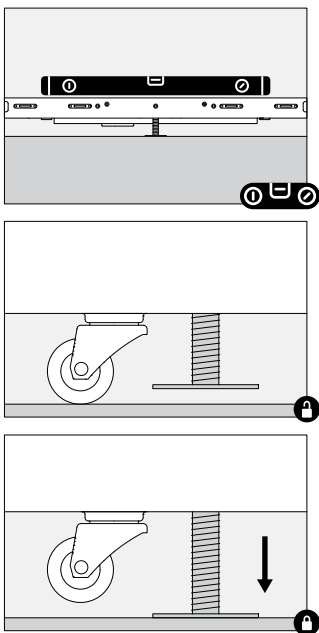


x1 Door Handle

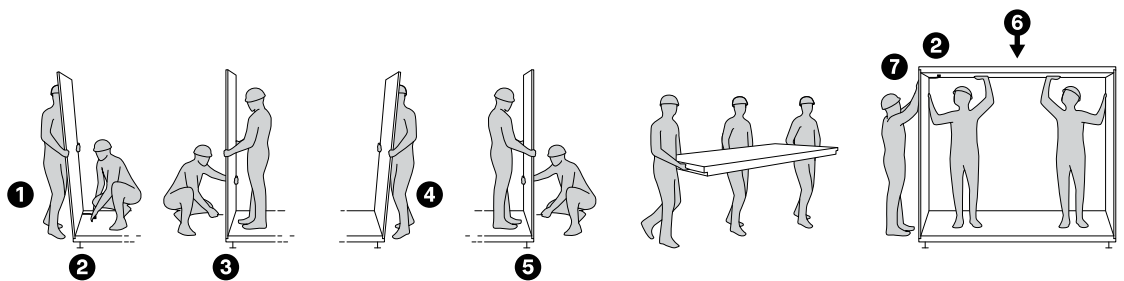
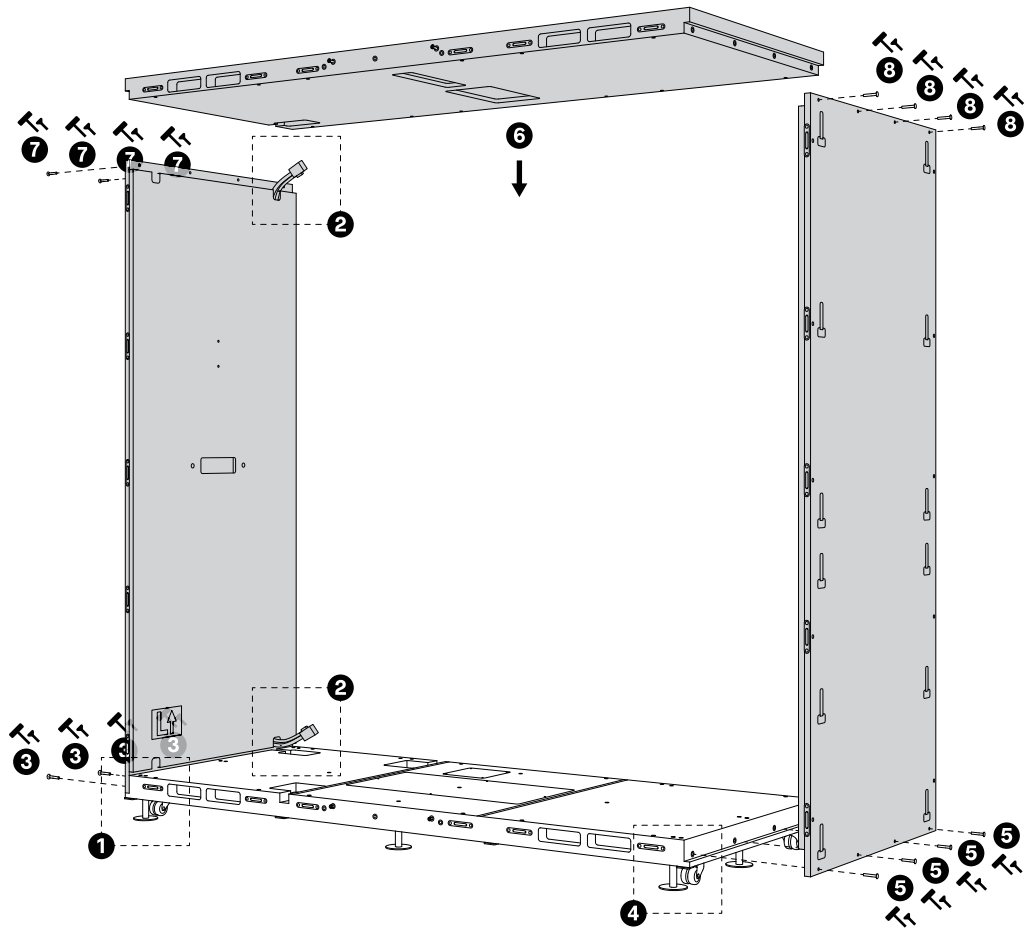
1



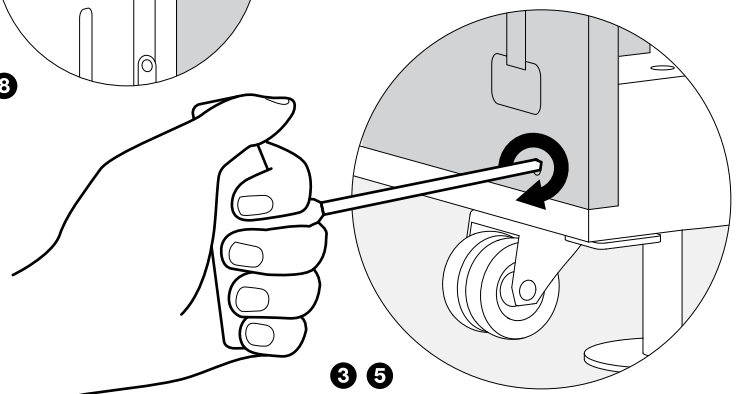
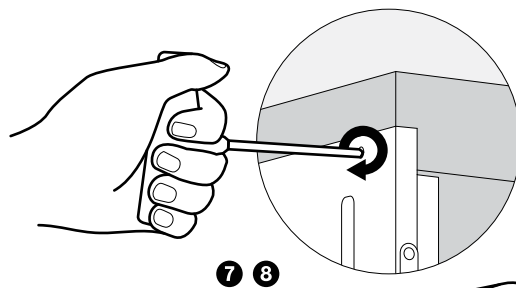
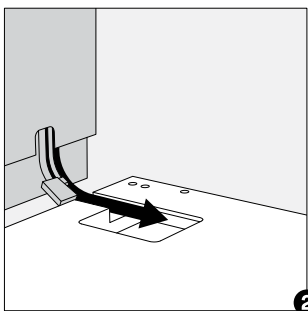
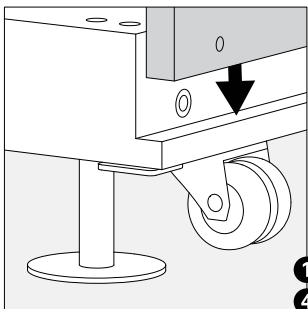
T-Handle Hex Key 4



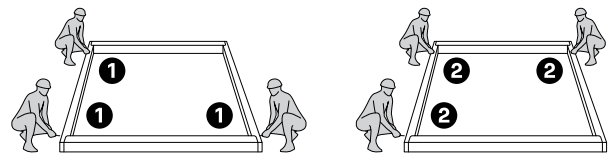
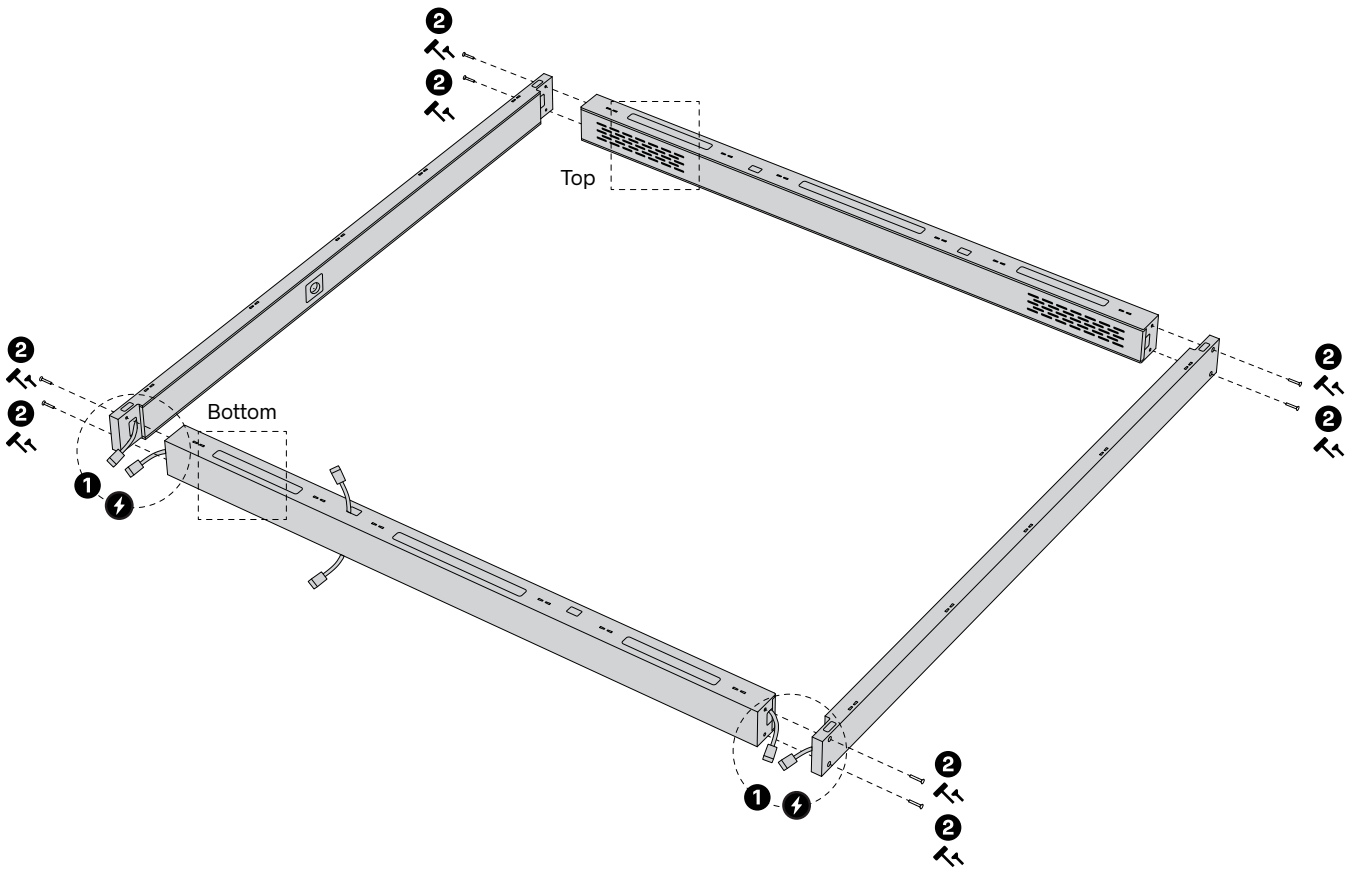
# 2



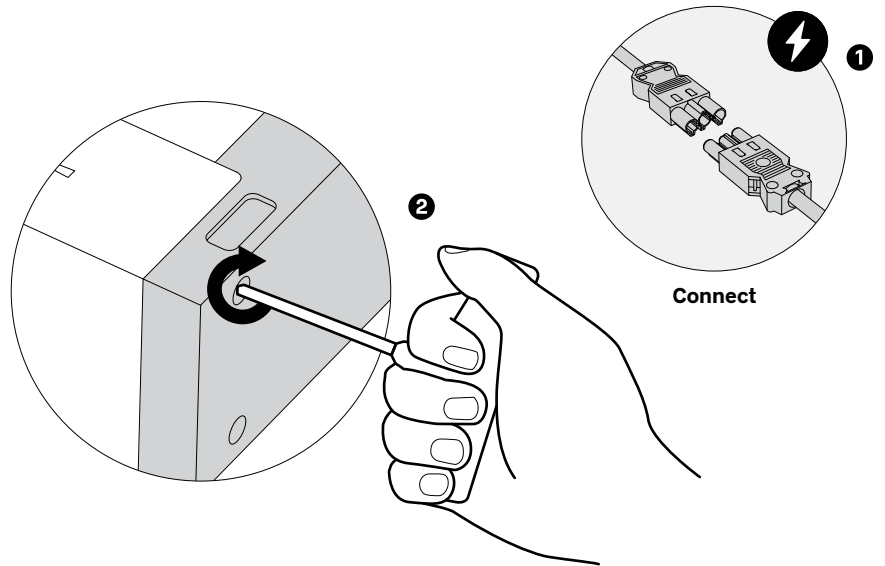
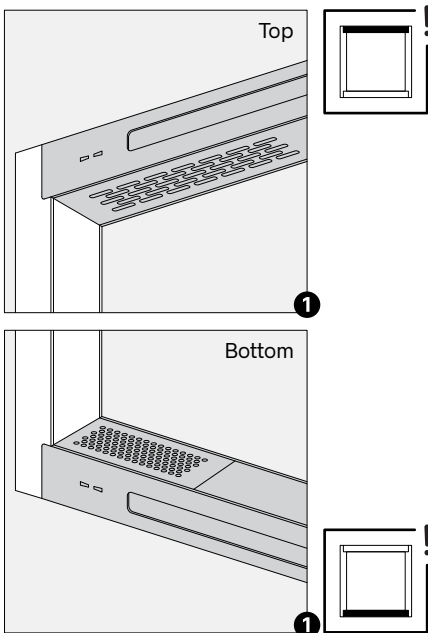
**A** x16 with  
T-Handle Hex Key 4



# 3

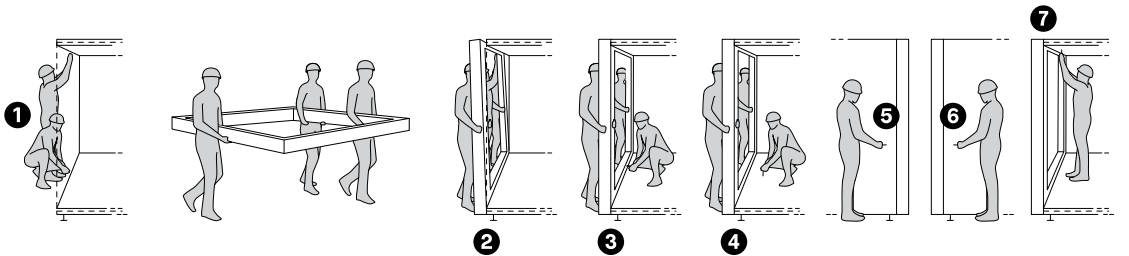
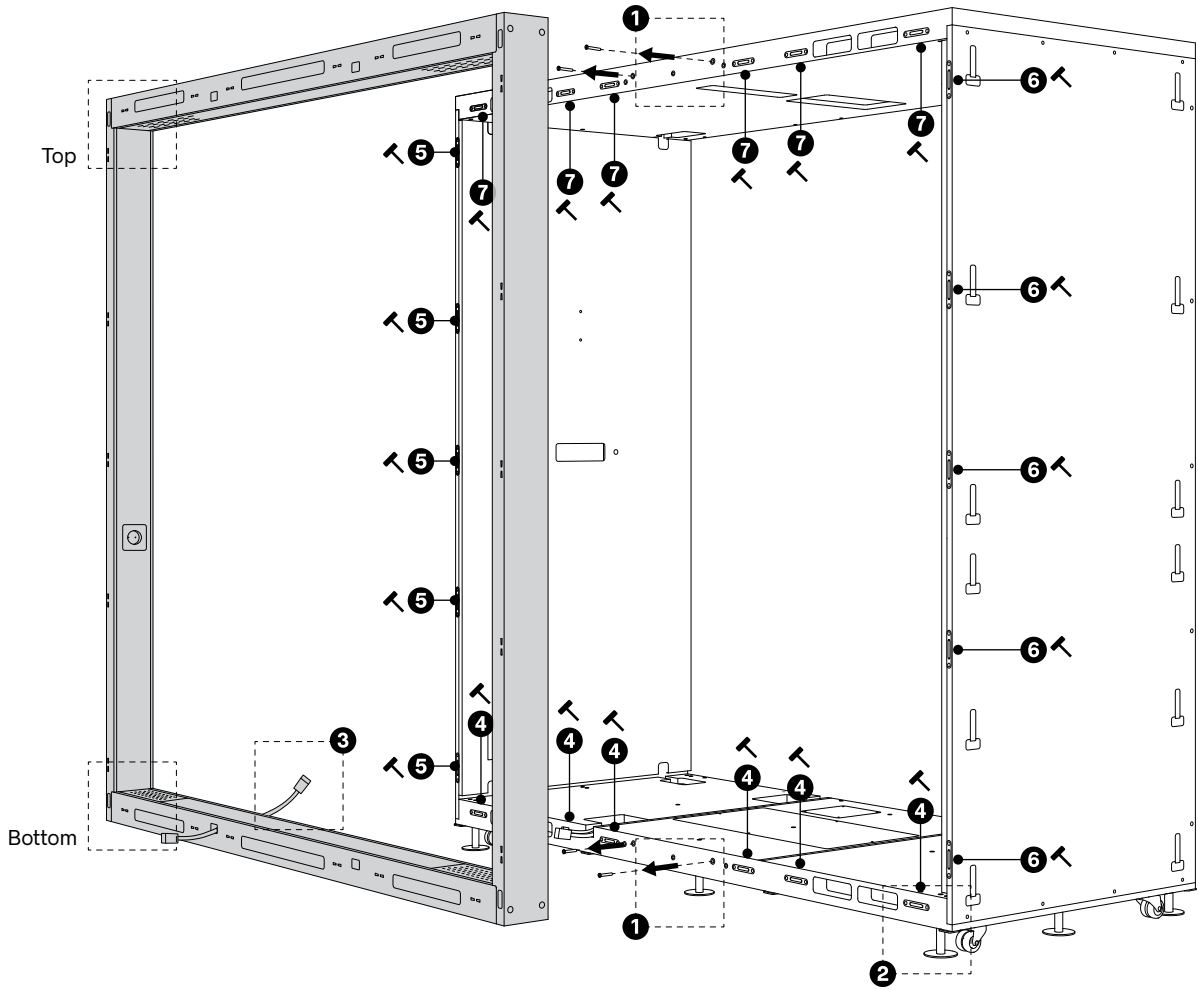


**E** x8 with  
T-Handle Hex Key 4

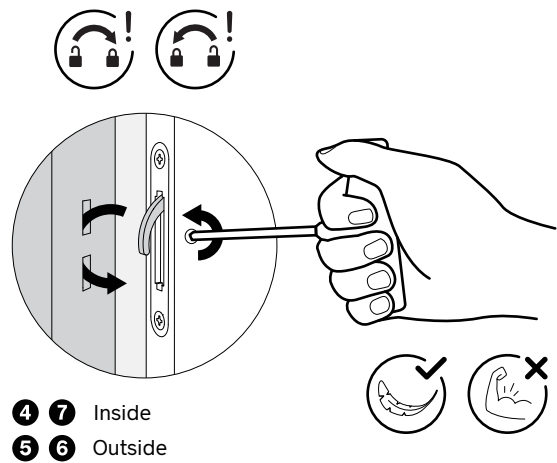
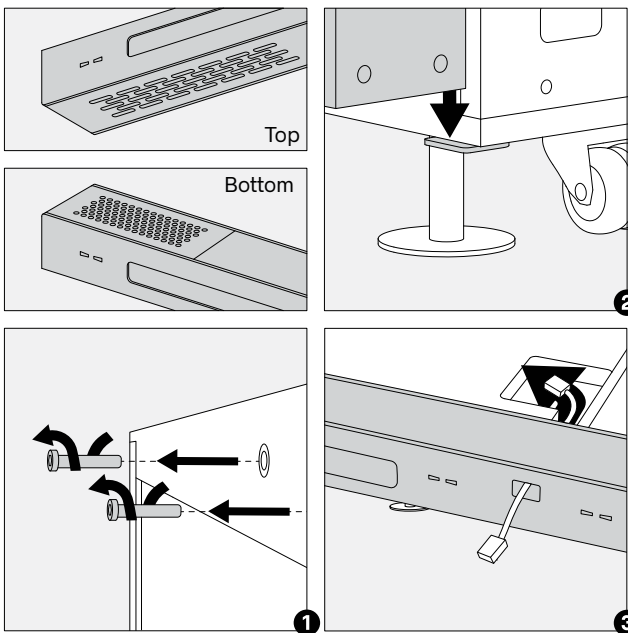




# 4

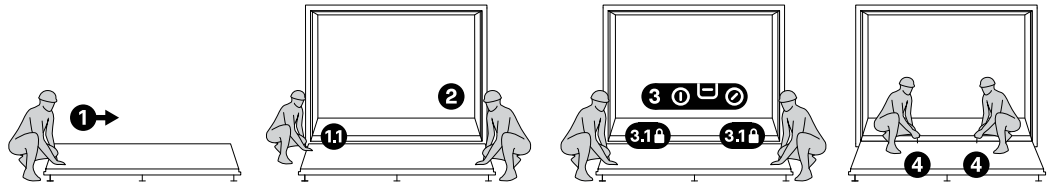
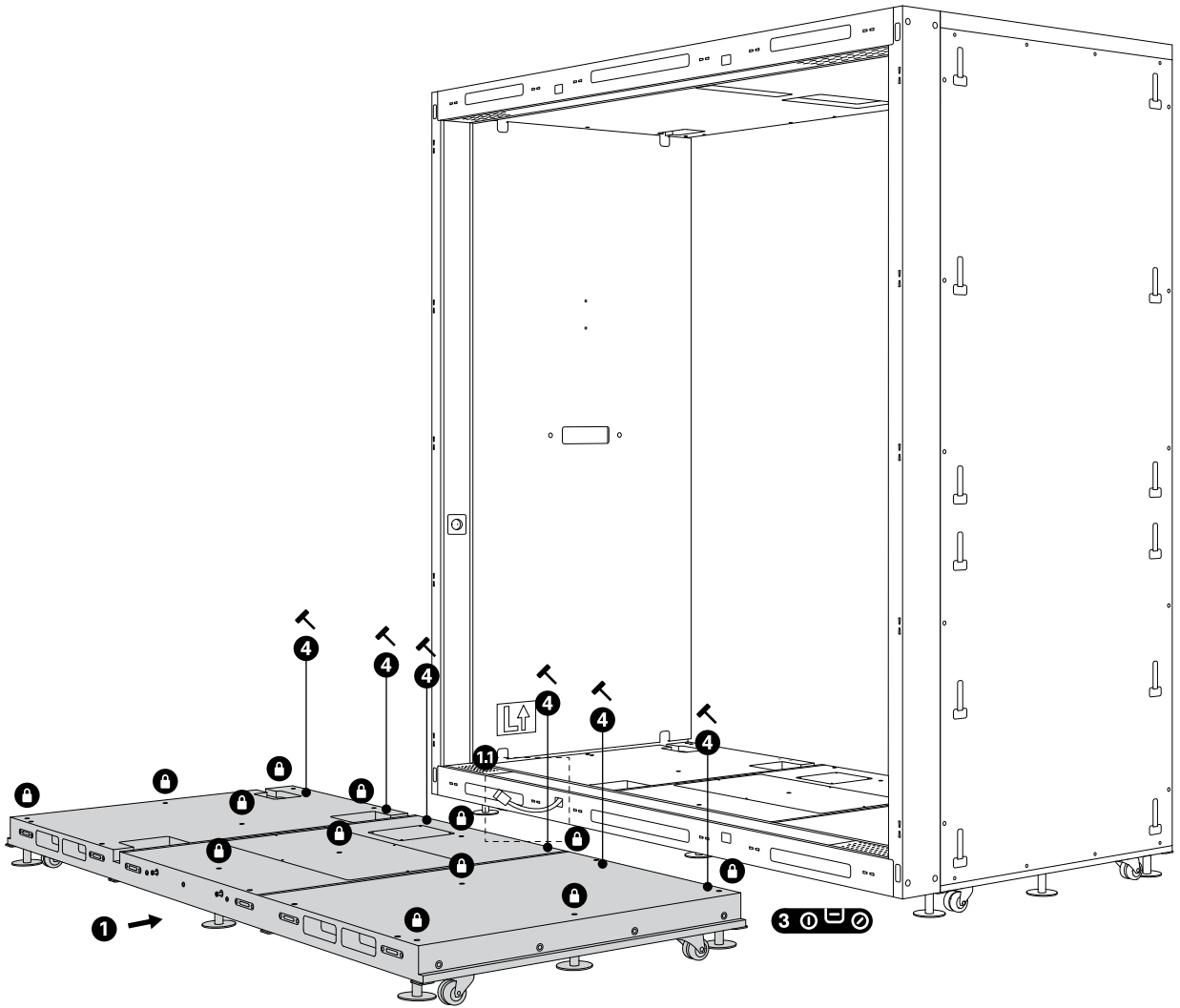


T-Handle Hex Key 7

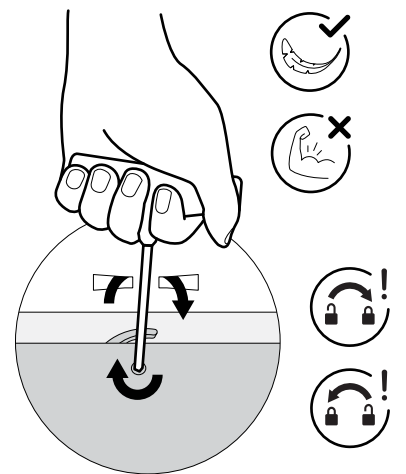
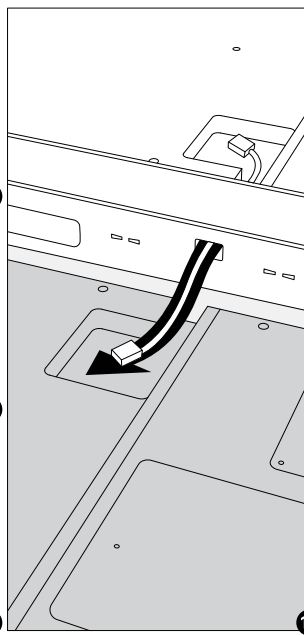
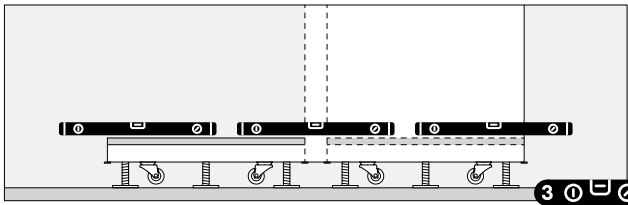
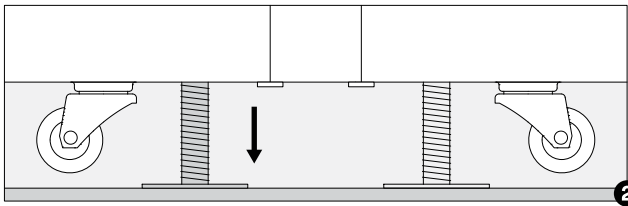
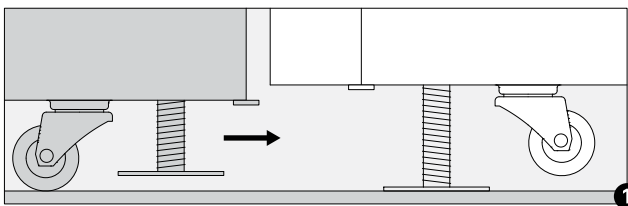


- 4 7 Inside
- 5 6 Outside

# 5

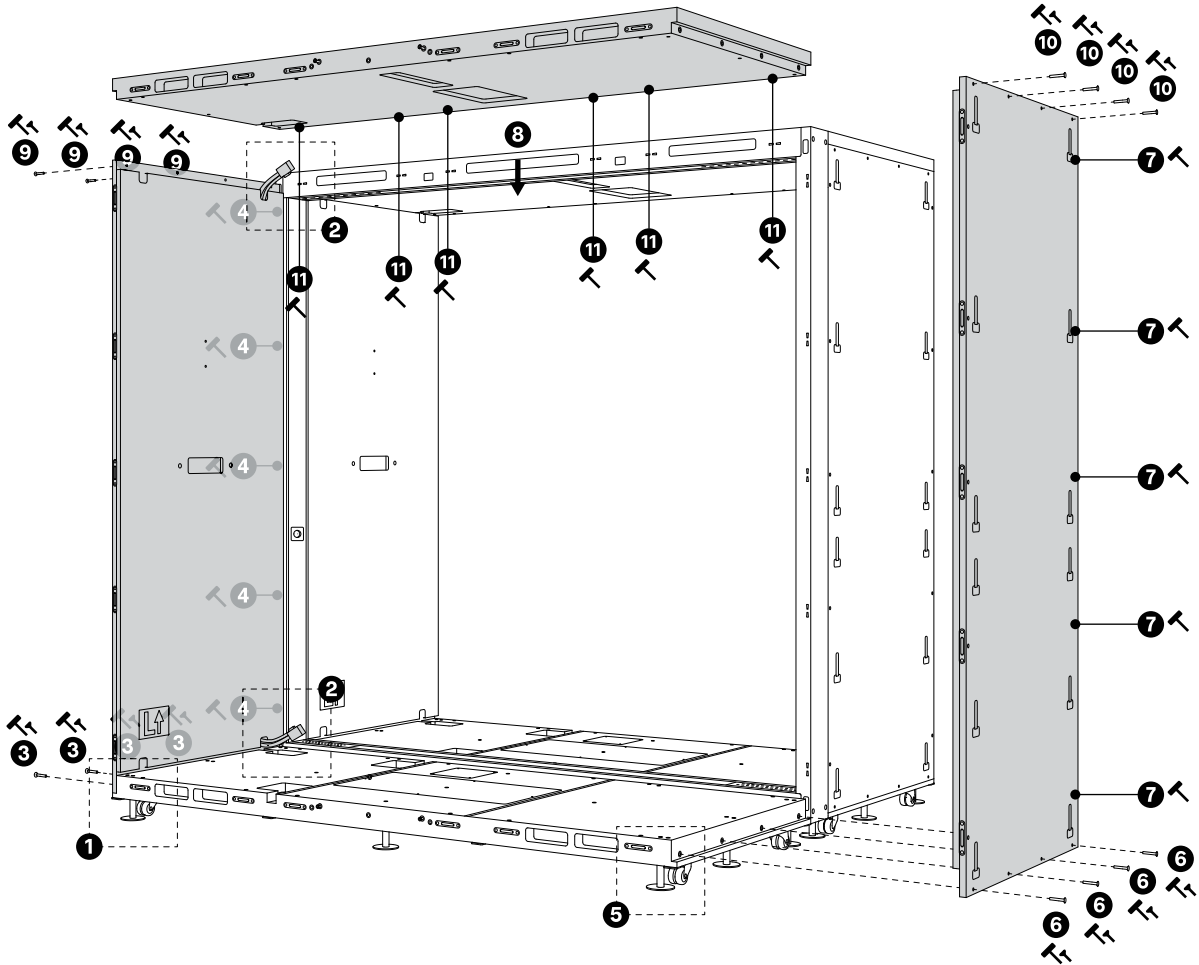


T-Handle Hex Key 4  
T-Handle Hex Key 7



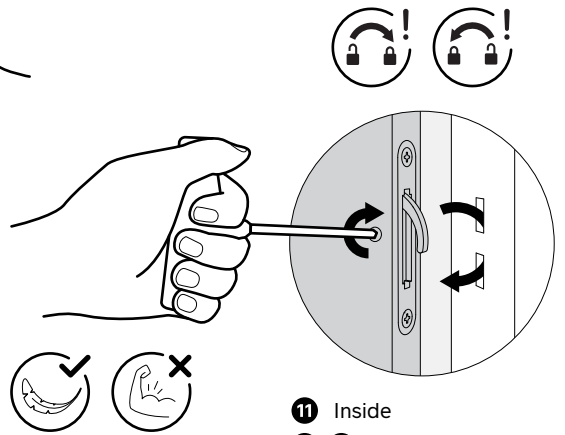
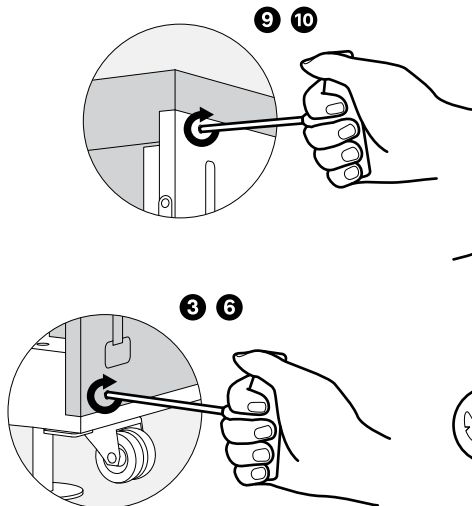
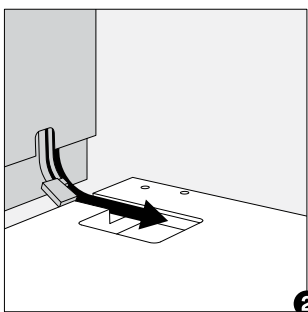
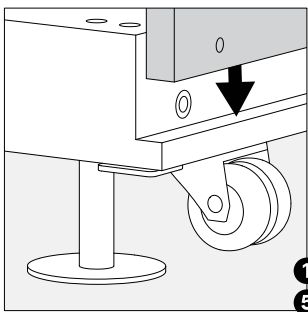
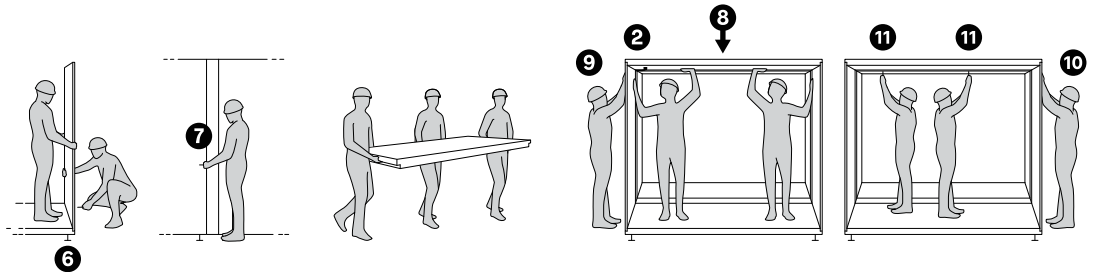
4 Inside

# 6



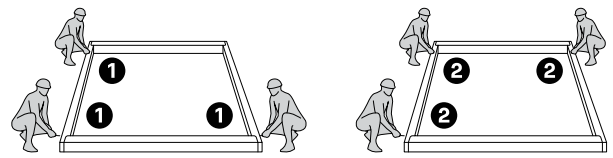
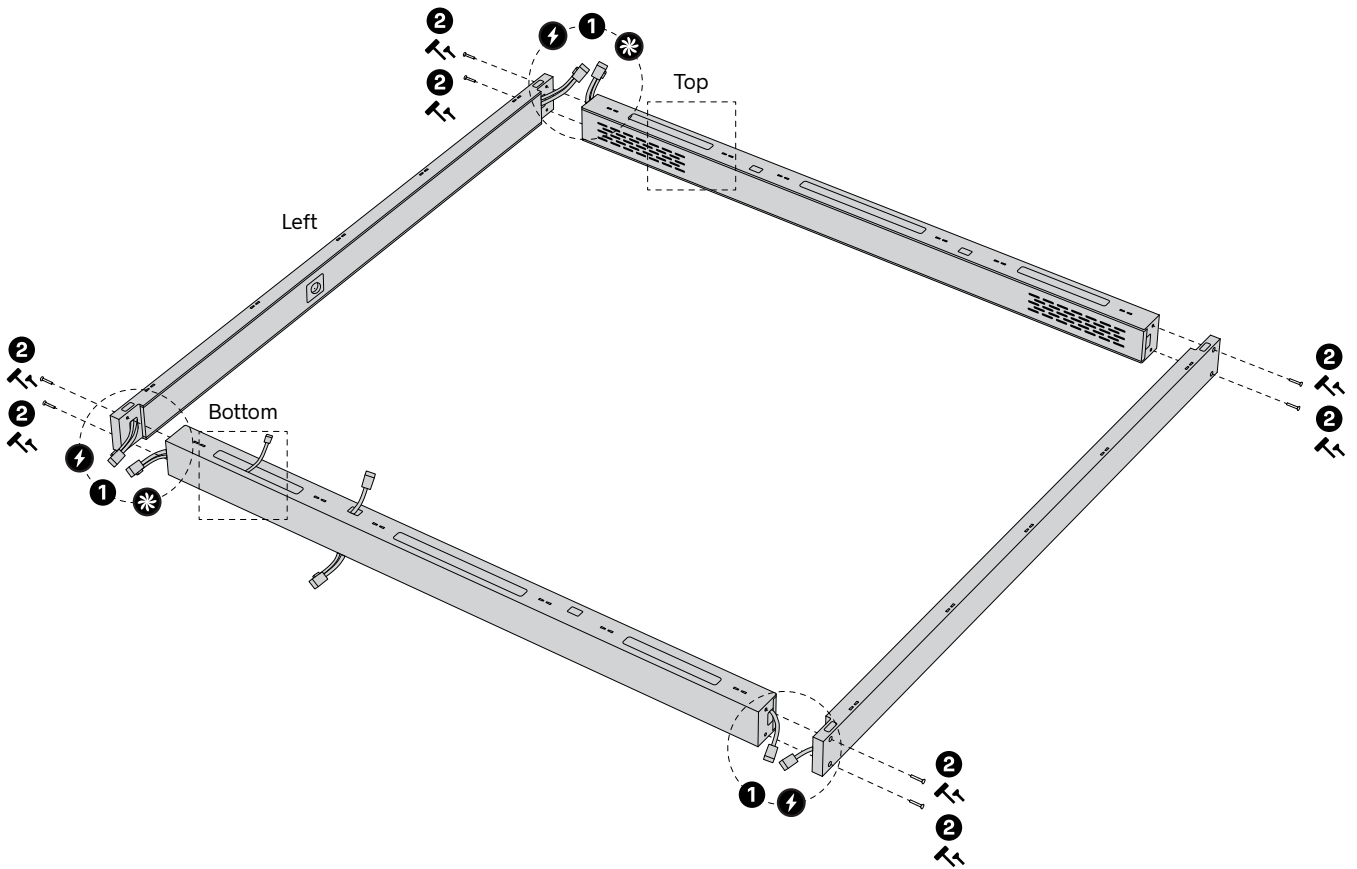
**A** x16 with  
T-Handle Hex Key 4

T-Handle Hex Key 7

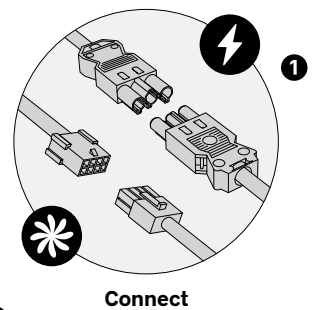
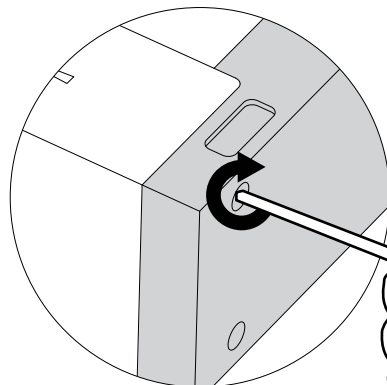
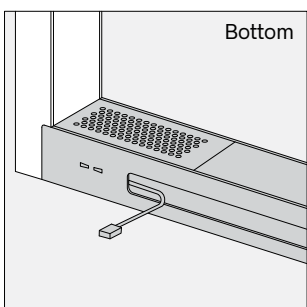
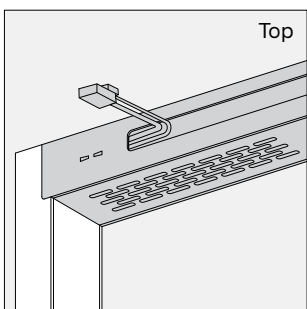


**11** Inside  
**4 7** Outside

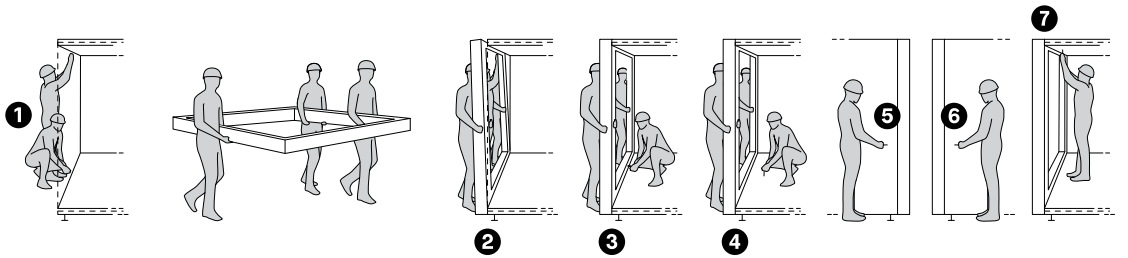
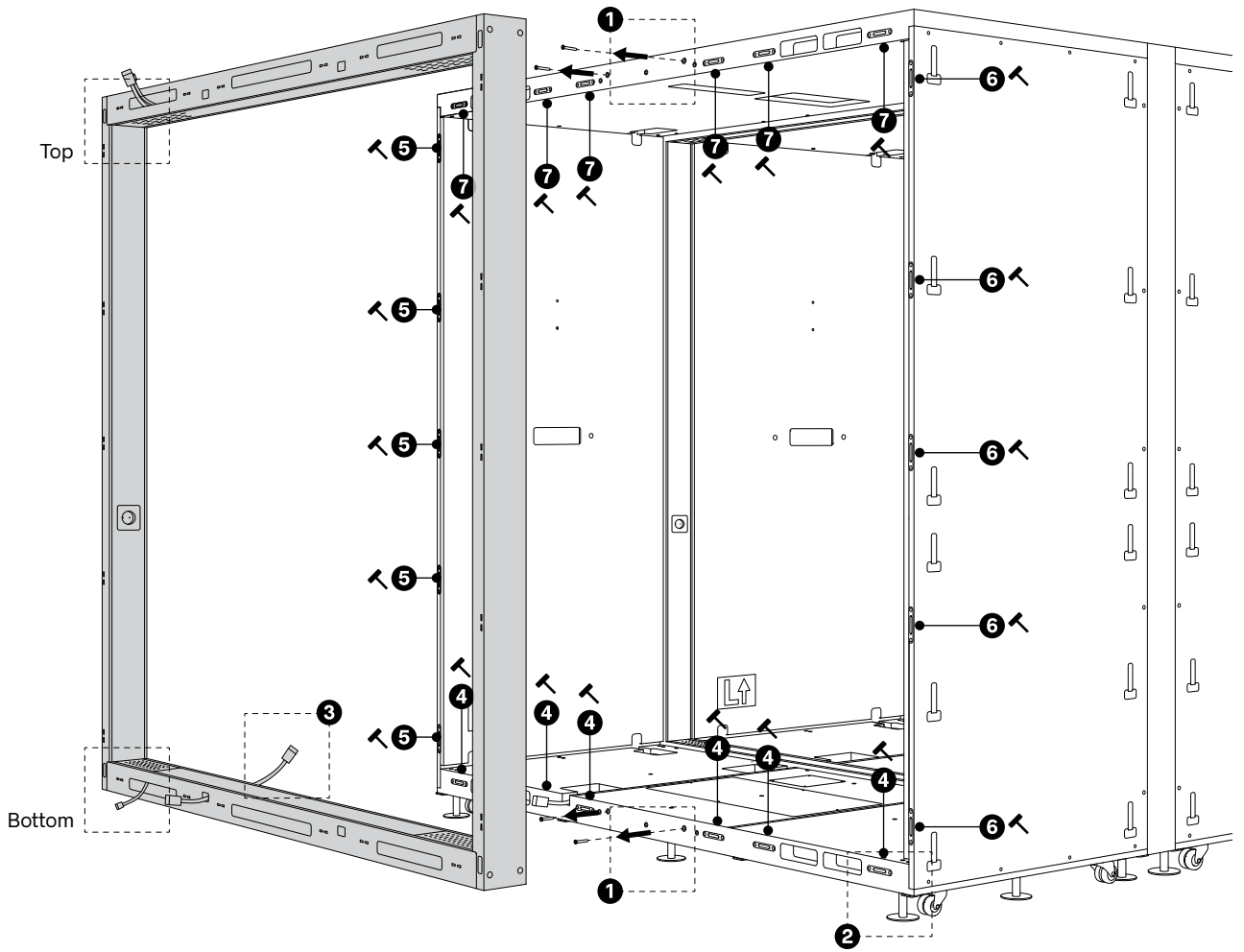
# 7



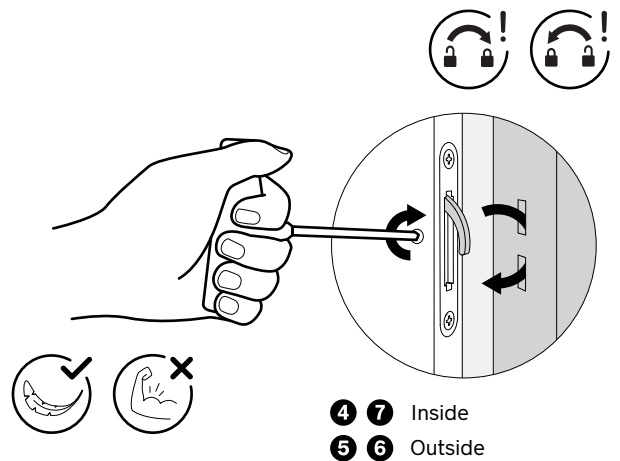
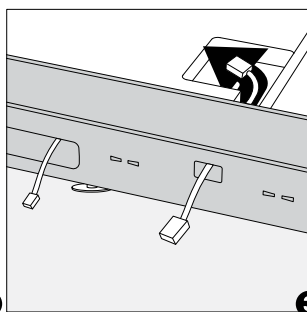
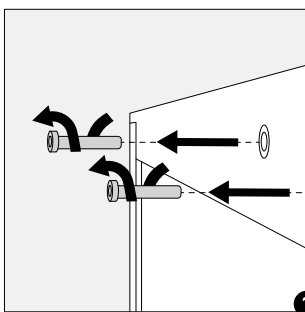
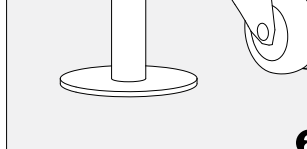
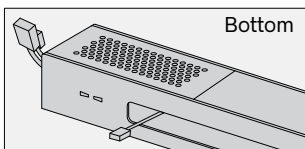
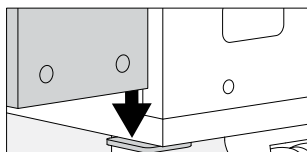
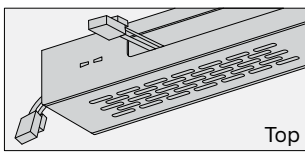
**E** x8 with  
T-Handle Hex Key 4



# 8

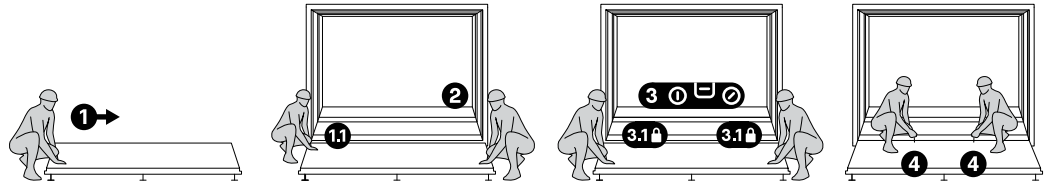
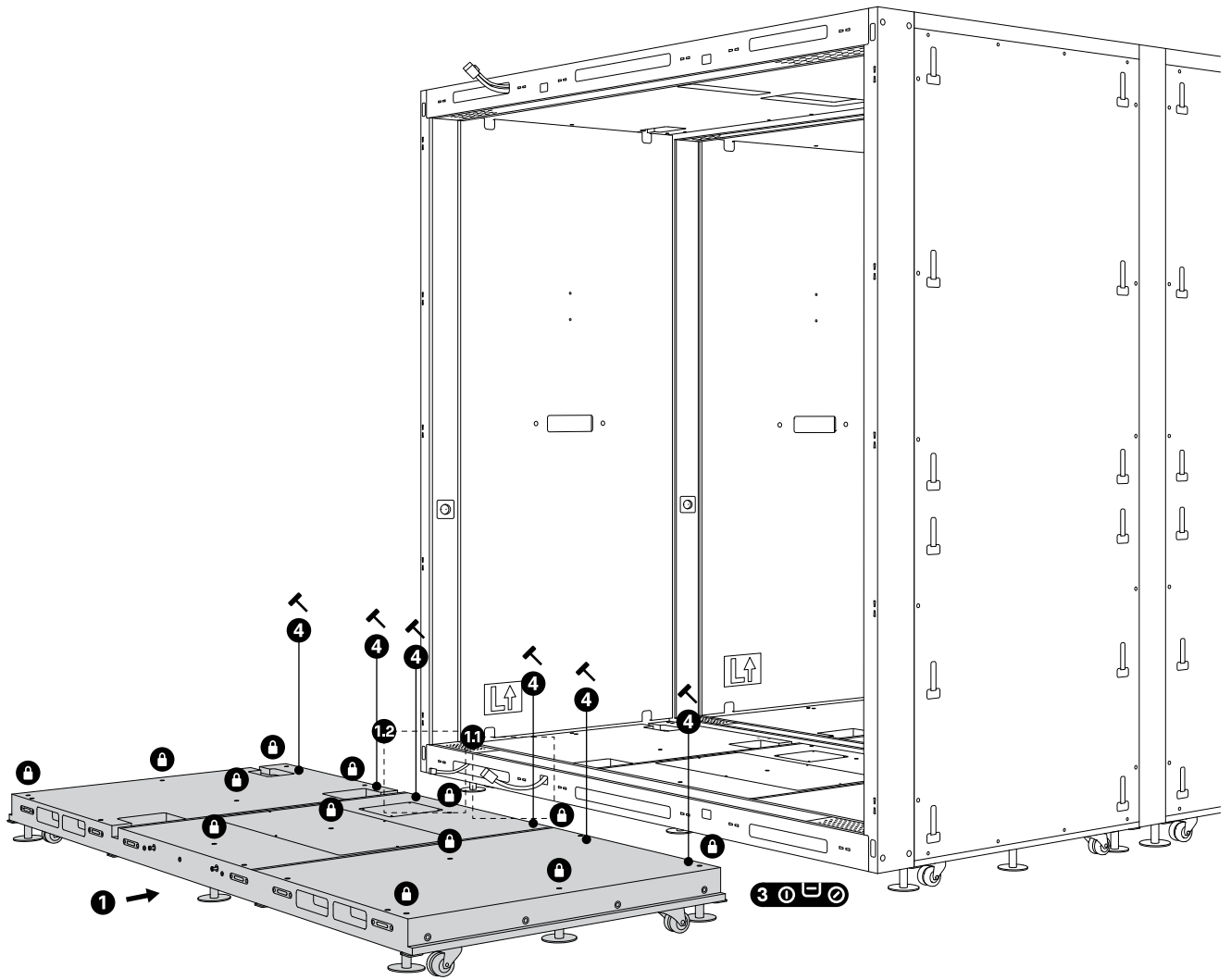


T-Handle Hex Key 7

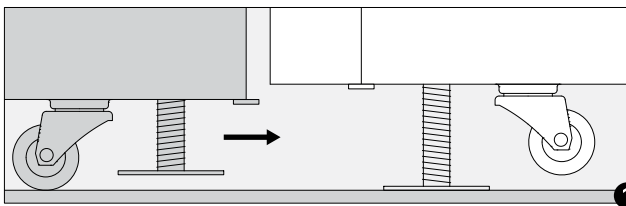


4 7 Inside  
5 6 Outside

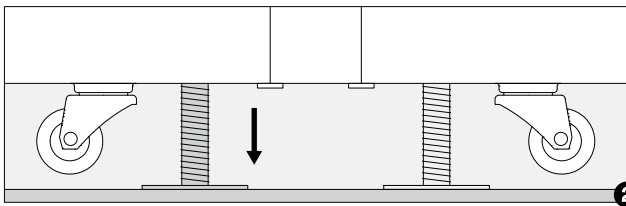
# 9



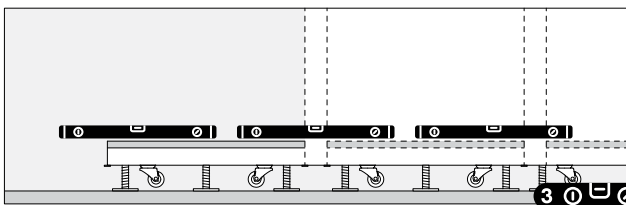
T-Handle Hex Key 4  
T-Handle Hex Key 7



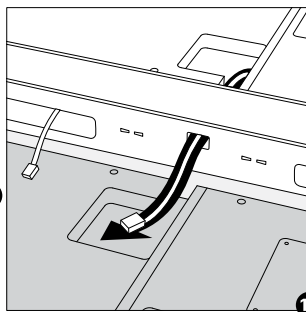
1



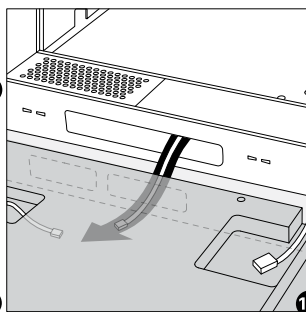
2



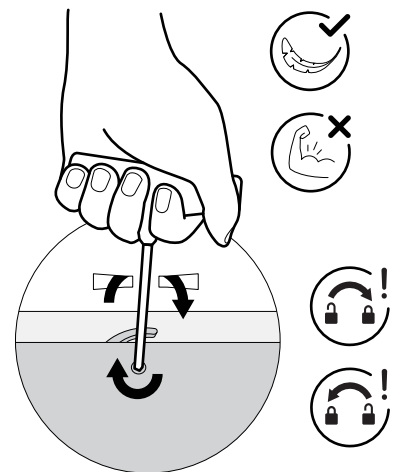
3 0 0 0



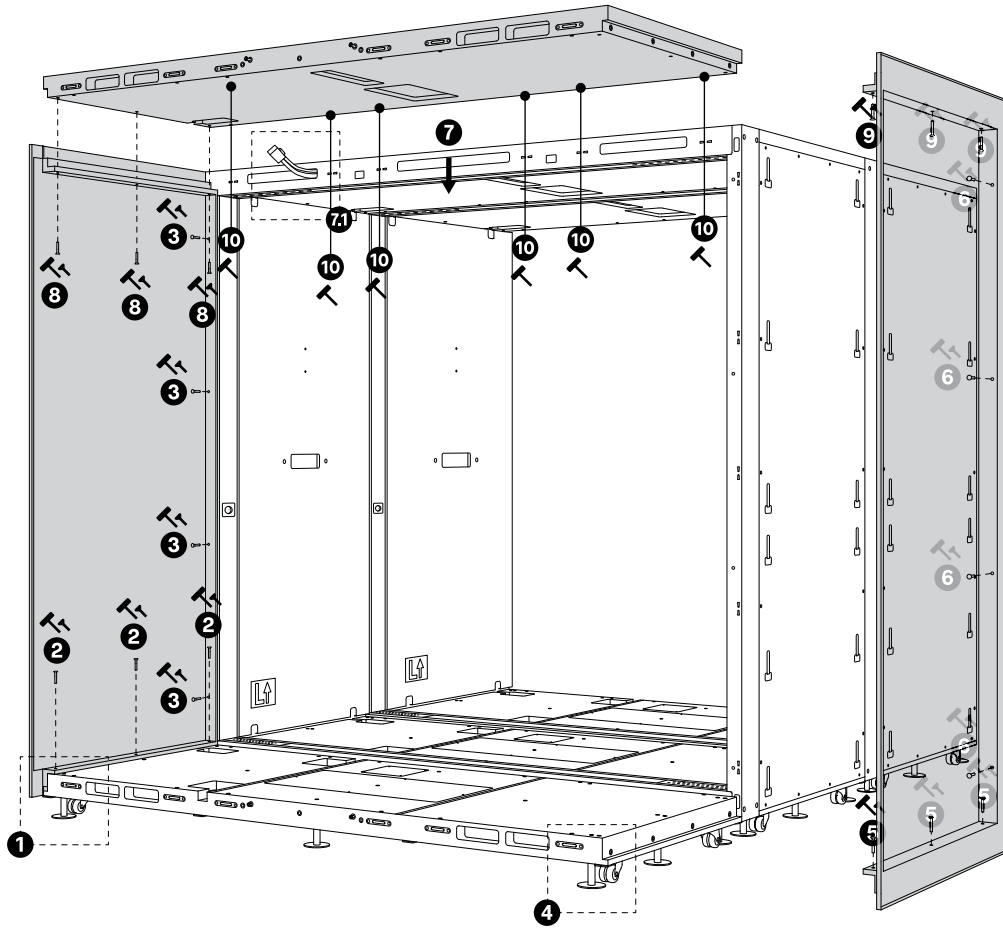
1.1



1.2

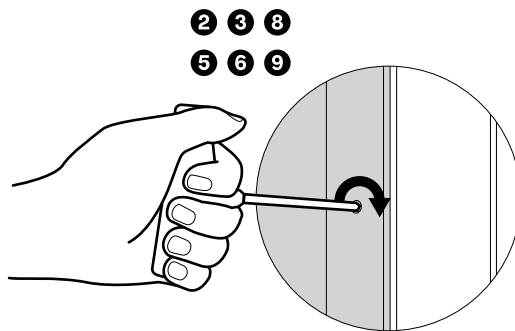
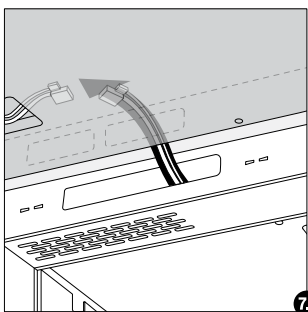
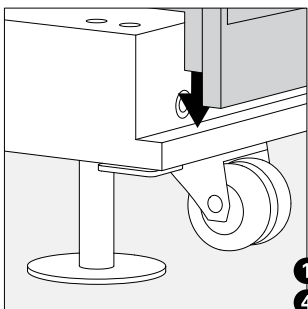
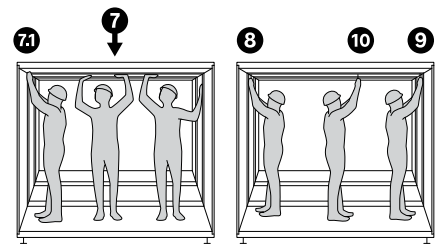
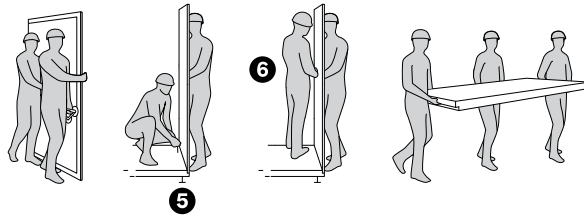


4 Inside

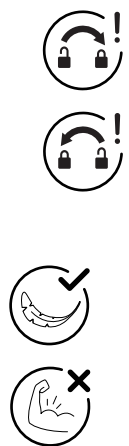
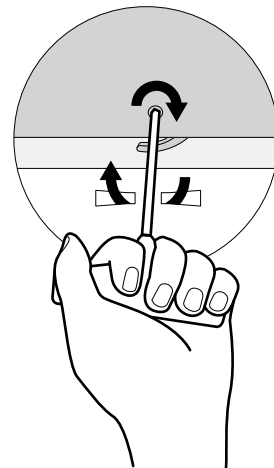


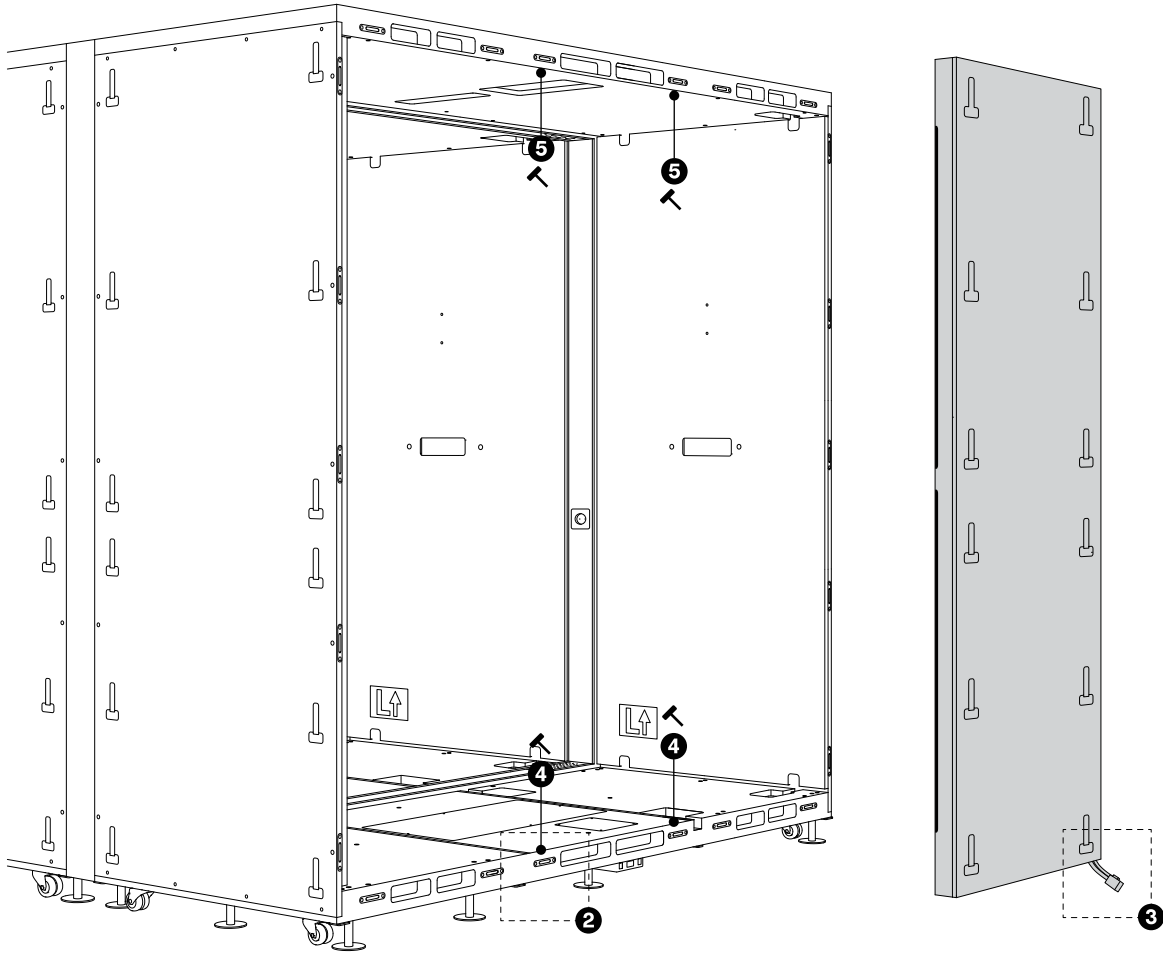
**F** x20 with  
T-Handle Hex Key 4

T-Handle Hex Key 7  
Suction cup handles



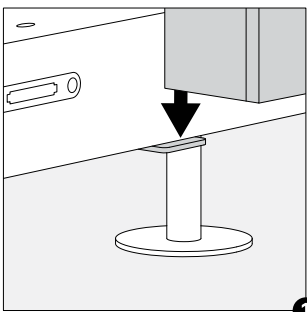
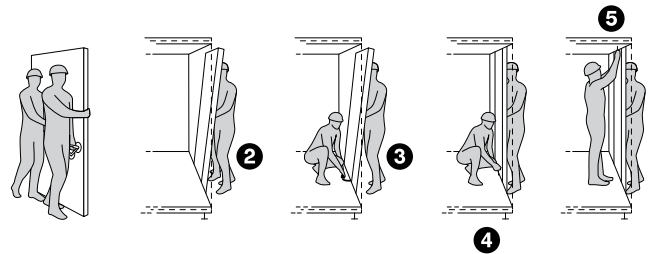
**10** Inside



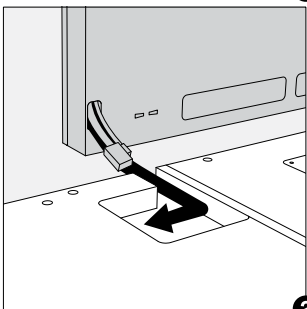


**Recommendation**  
It is recommended to start with the Middle Structural Panel.

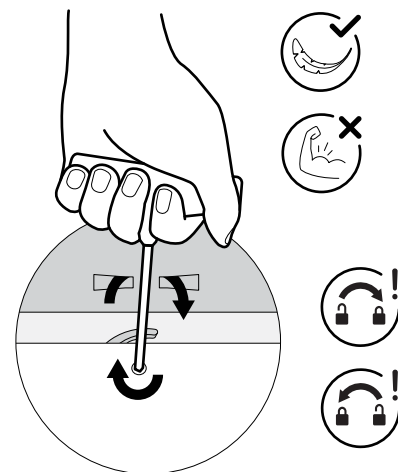
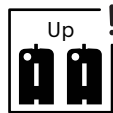
**T-Handle Hex Key 7**  
**Suction cup handles**



1



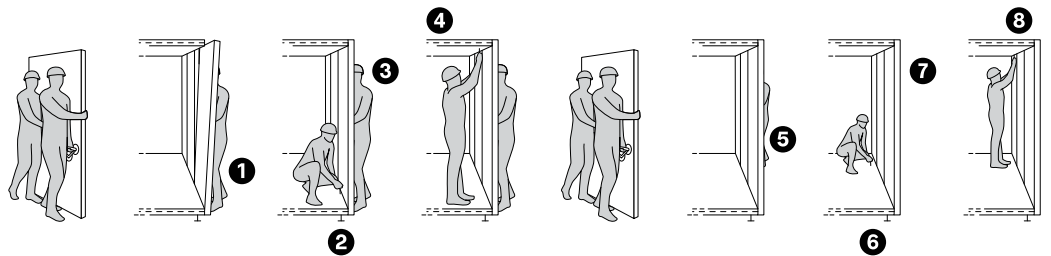
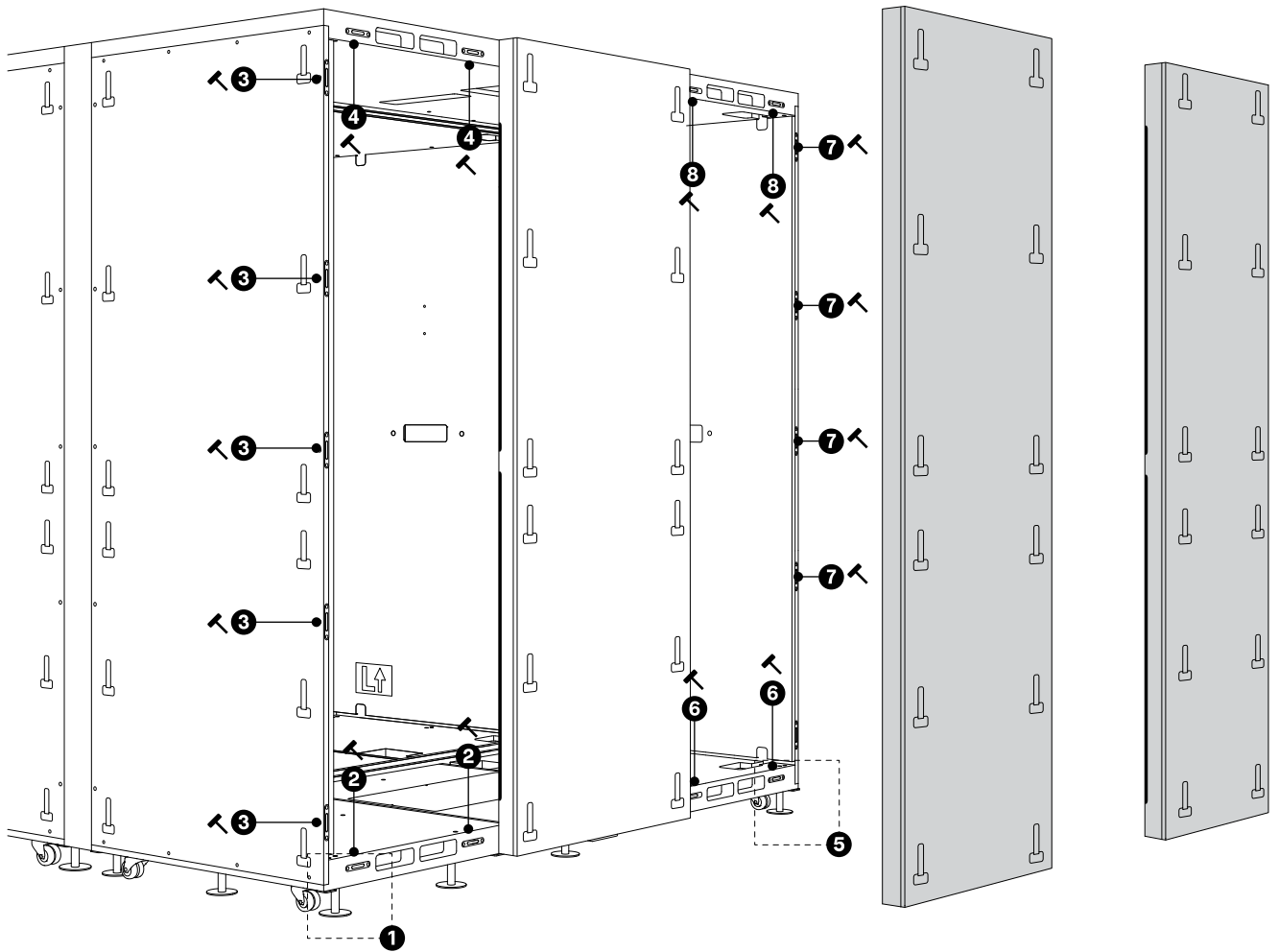
2



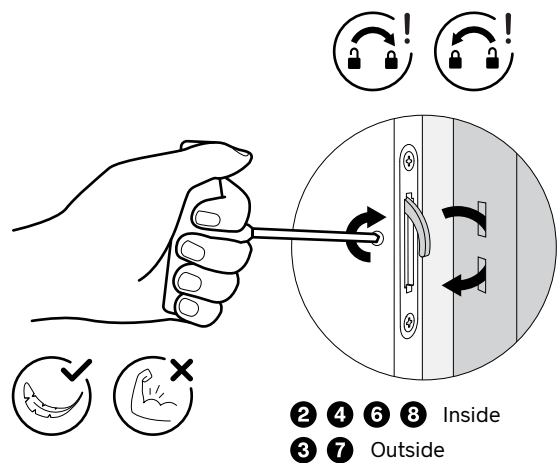
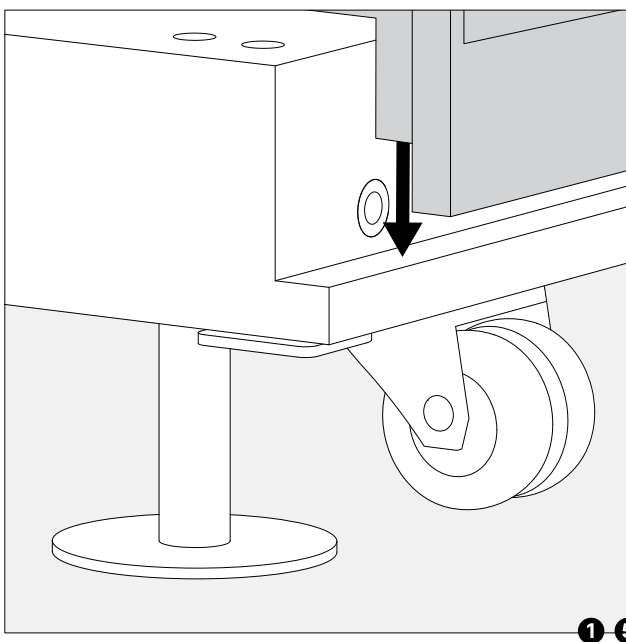
4 5 Inside



# 12

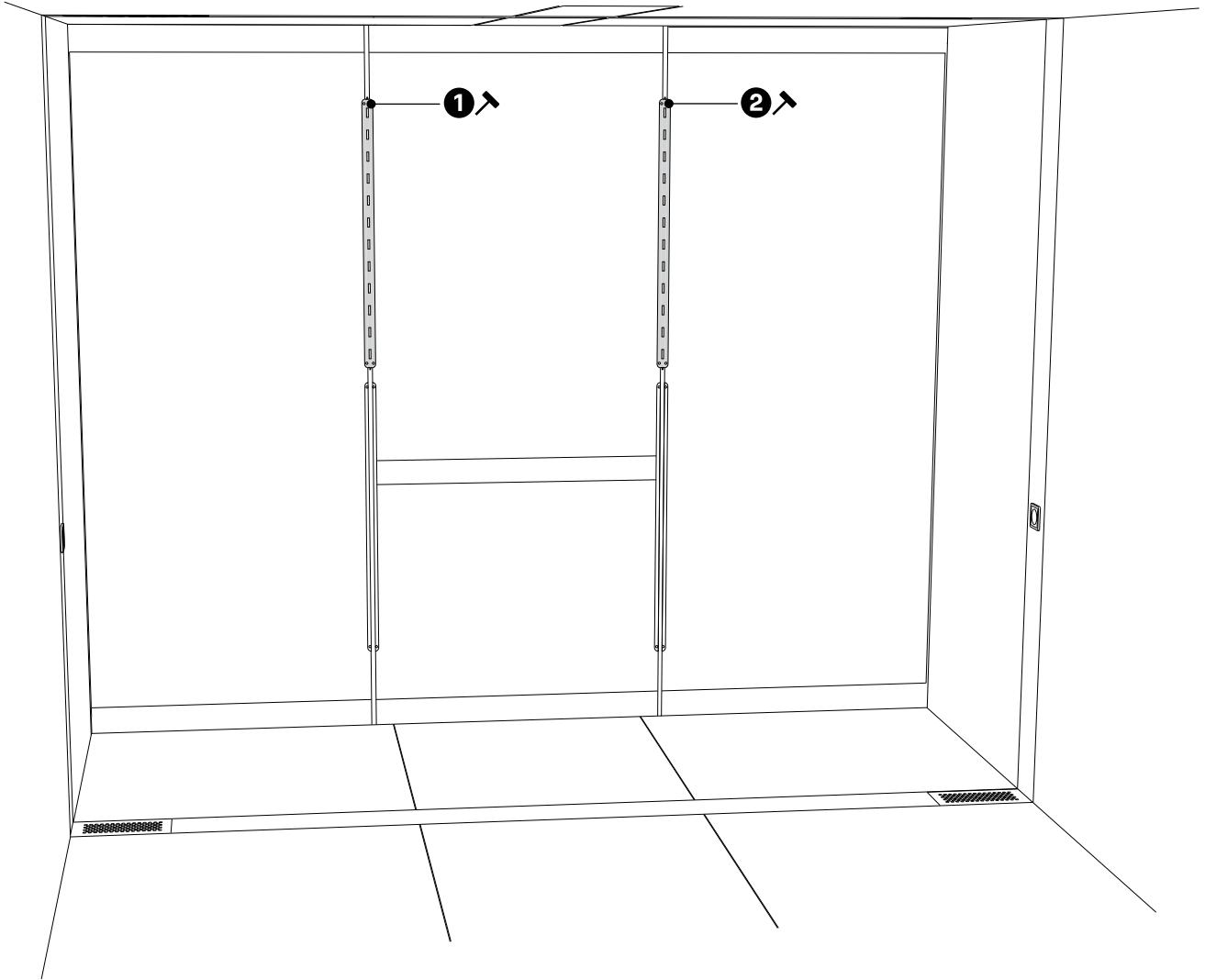



**T-Handle Hex Key 7**  
**Suction cup handles**

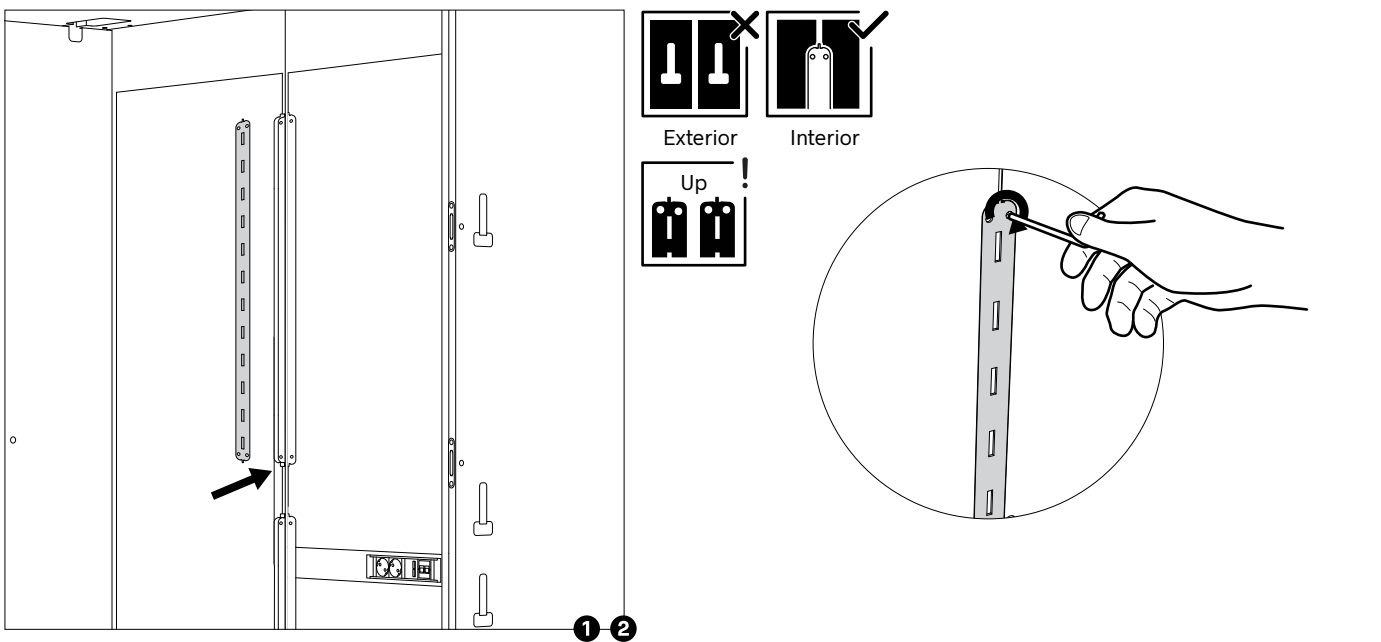


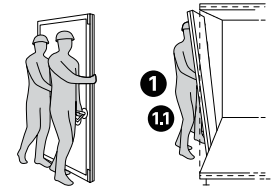
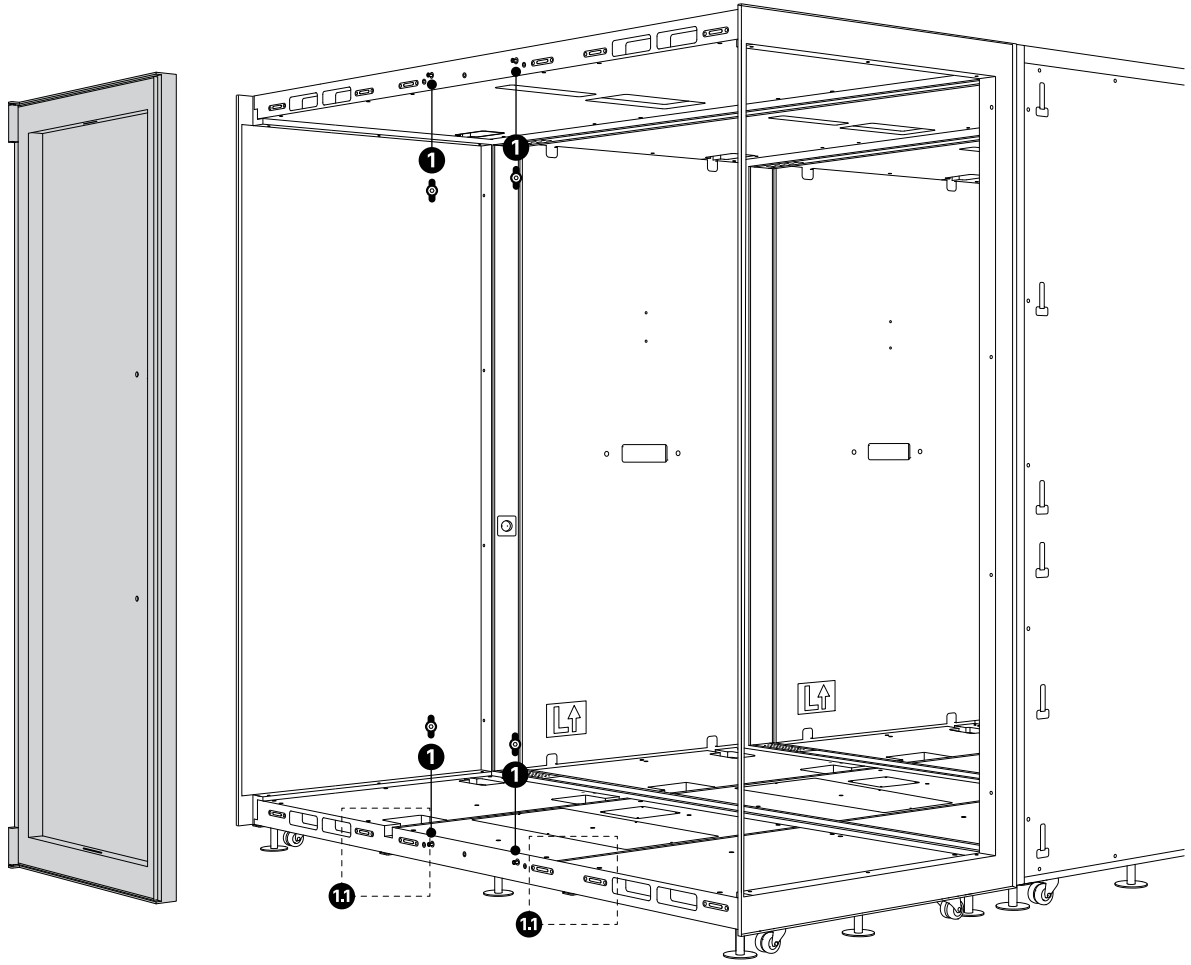
- 2 4 6 8 Inside
- 3 7 Outside

# 13



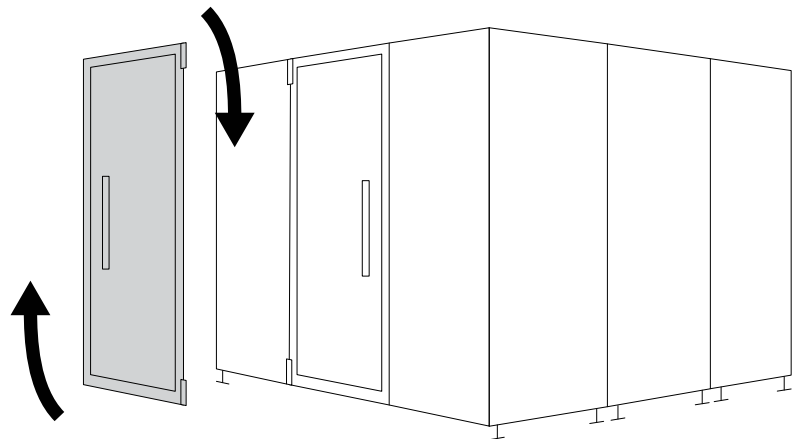
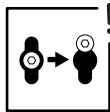
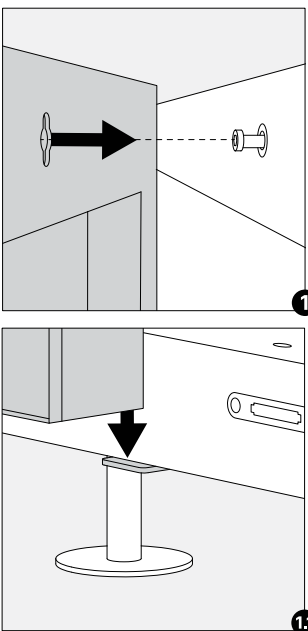
 x4 with  
T-Handle Hex Key 4





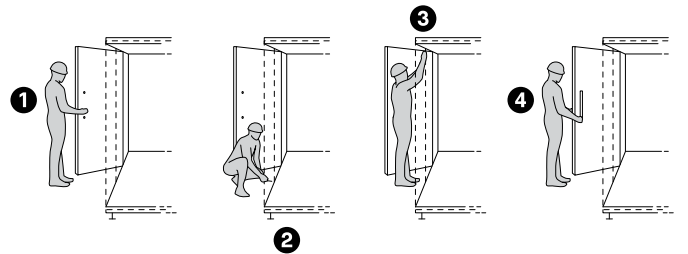
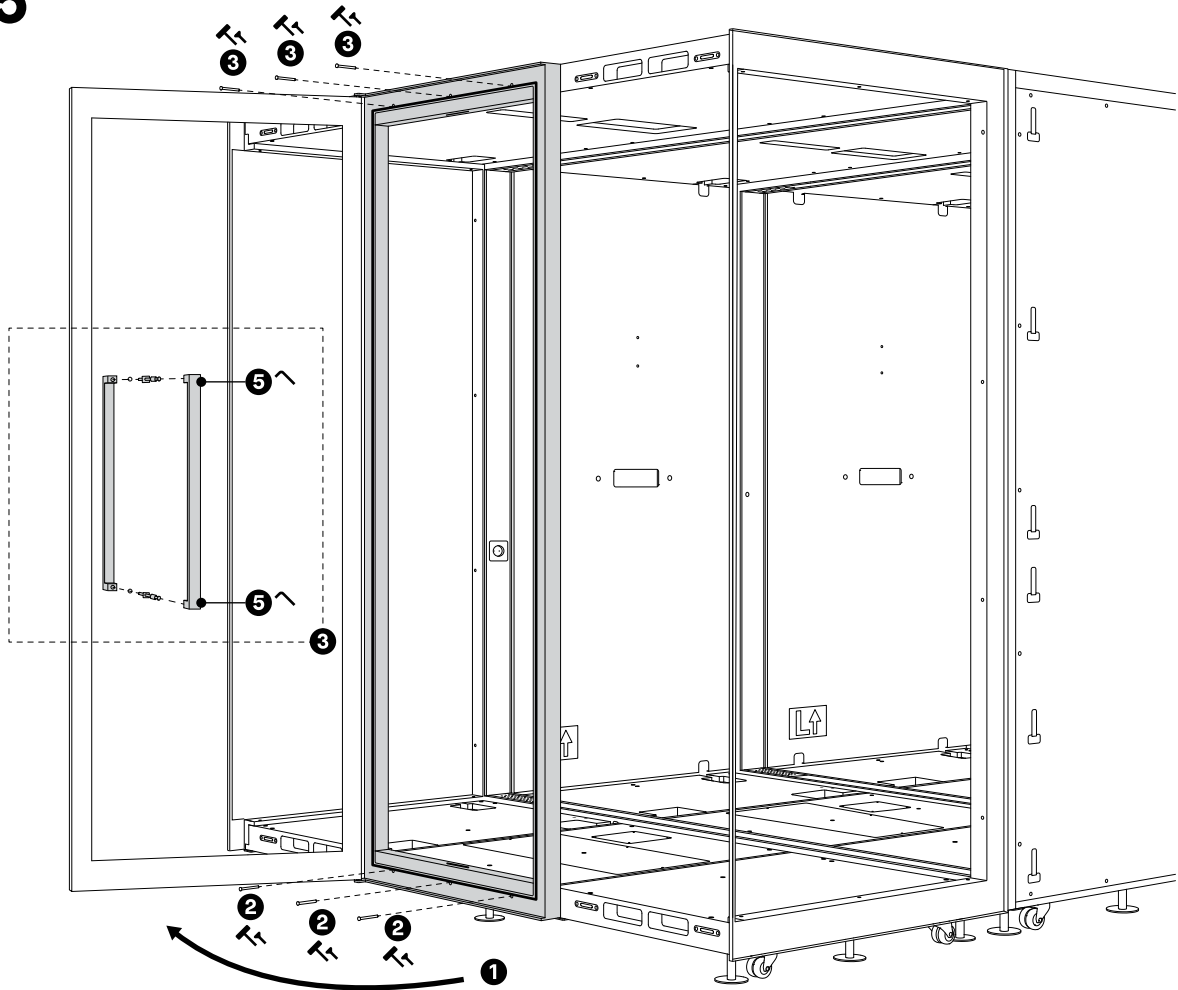
**Recommendation**  
It is recommended to start with the Door Frame.

**Suction cup handles**



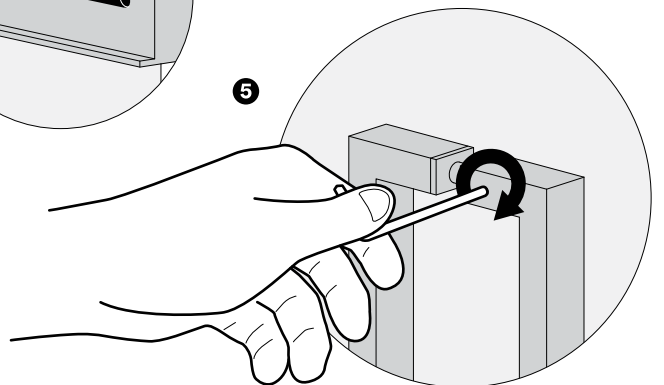
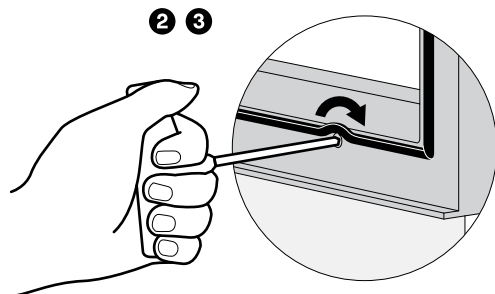
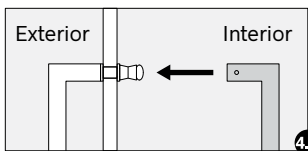
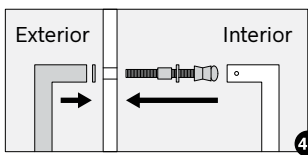
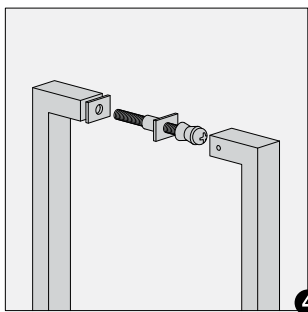
The door opening can be oriented **Left** or **Right** just by rotating the frame.

# 15

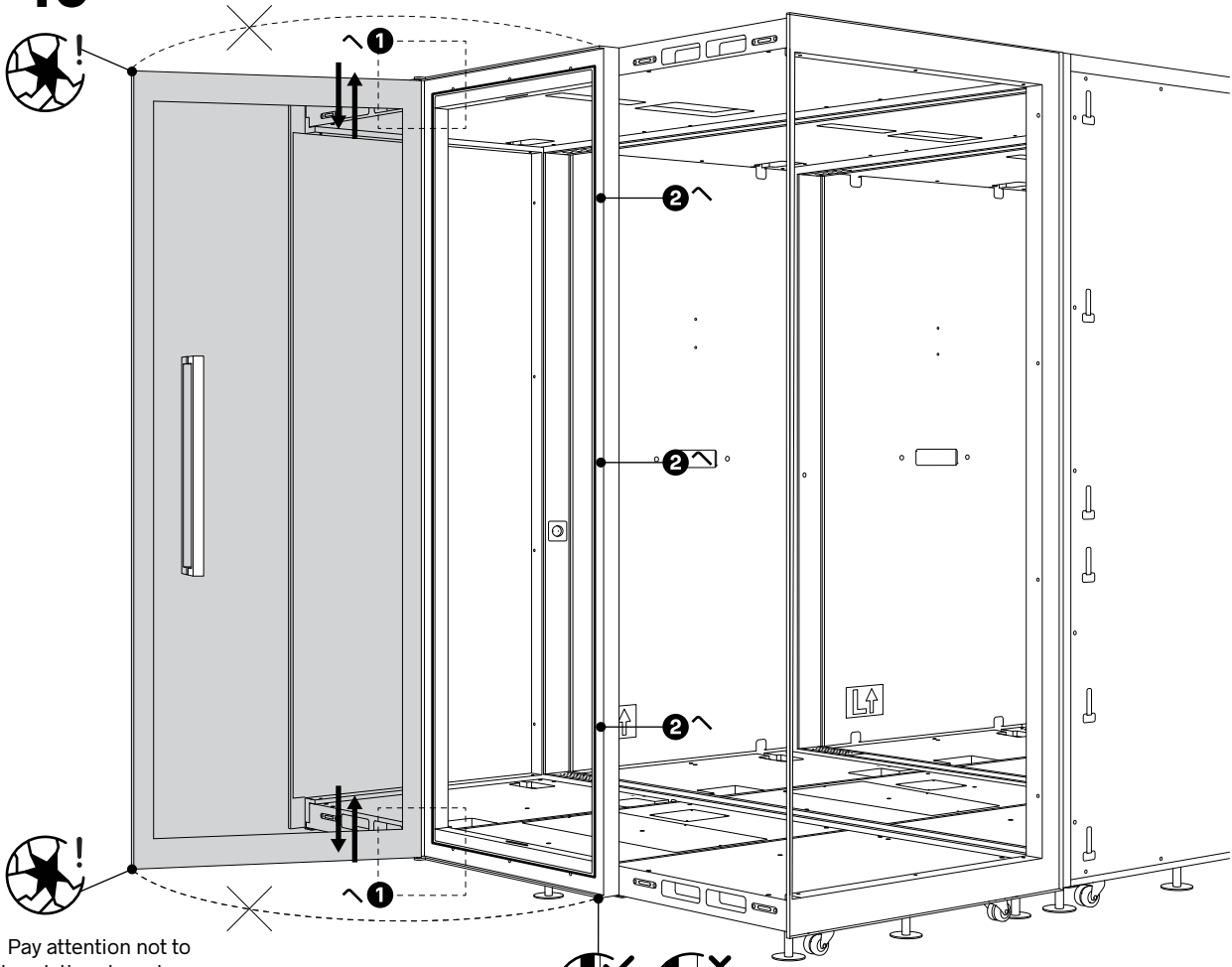


**B** x6 with  
T-Handle Hex Key 4

**C** x2 with  
Allen Key 3



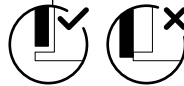
16



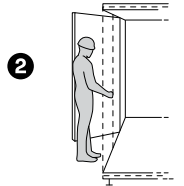
Pay attention not to break the glass door.



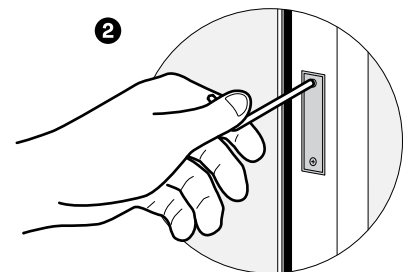
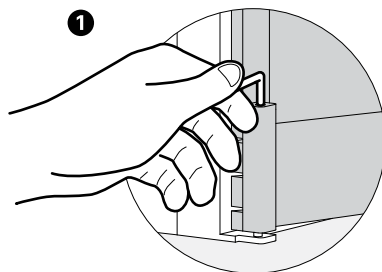
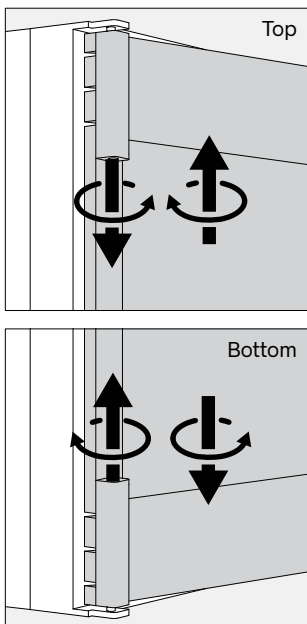
Check if the glass door hits the frame edge before closing it.



Adjust the glass door if necessary.



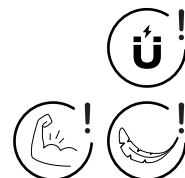
Allen Key 3  
Allen Key 2



To adjust the glass door the height must be calibrated. If you need to raise the glass door, you loosen the top hinge and tighten the bottom hinge.

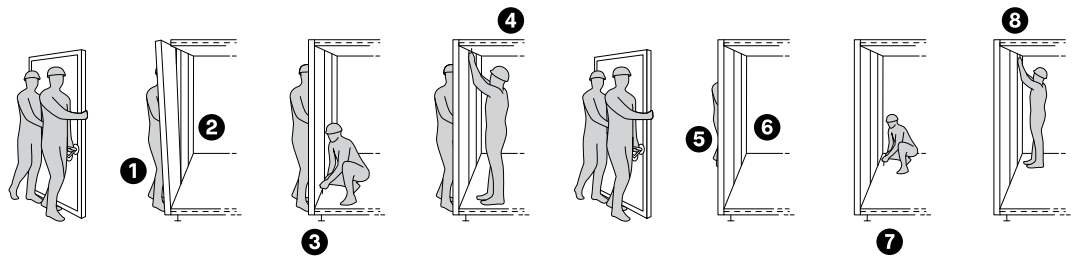
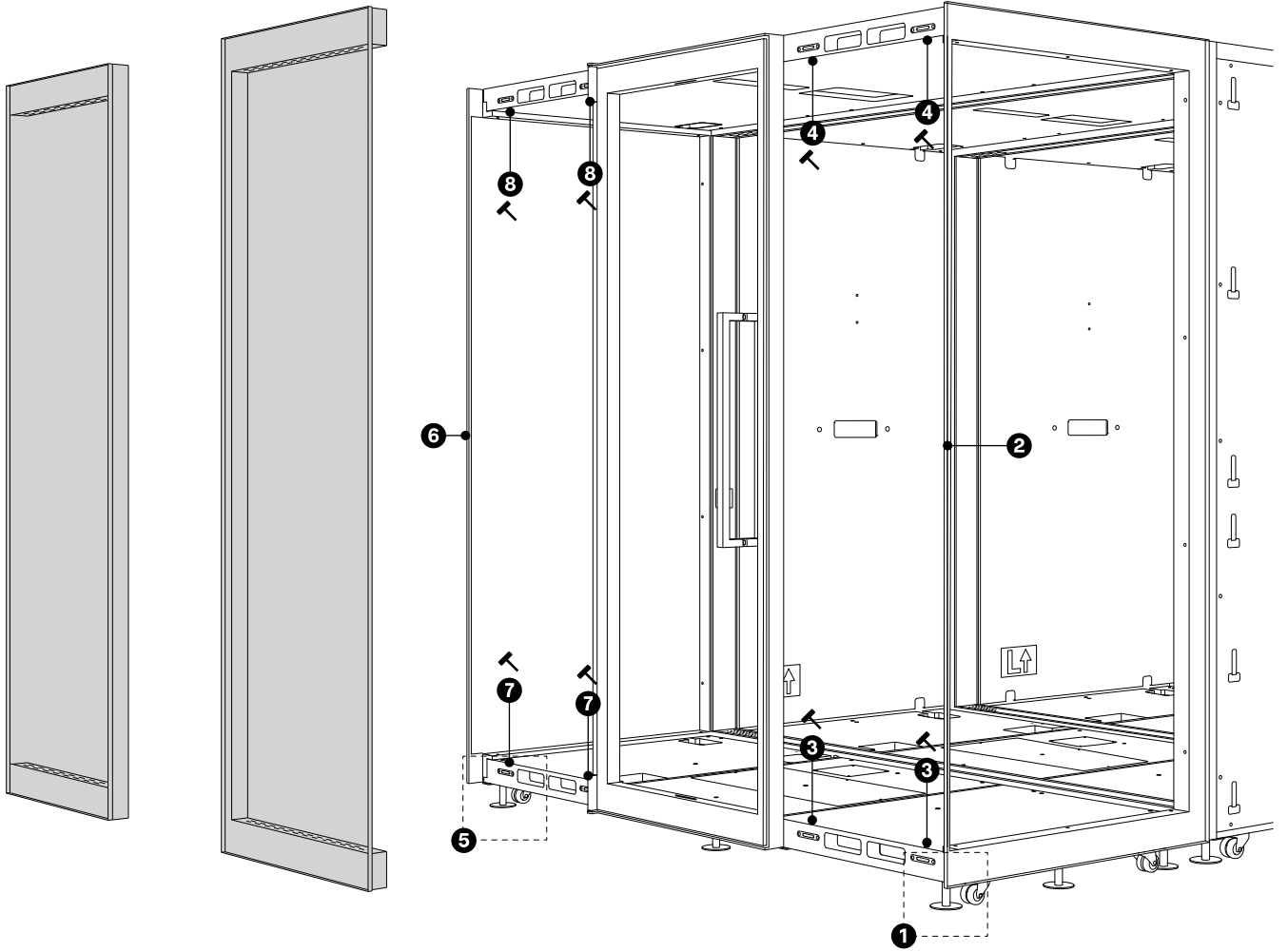


If you need to lower the glass door, you loosen the bottom hinge and tighten the top hinge.

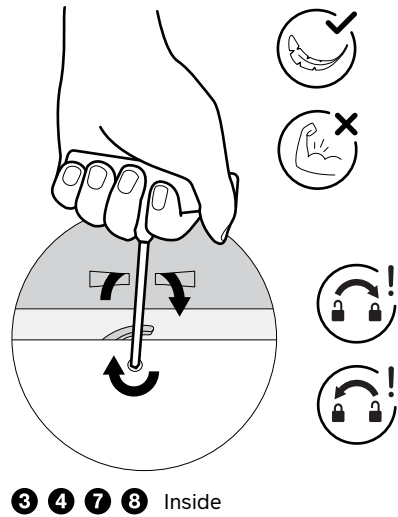
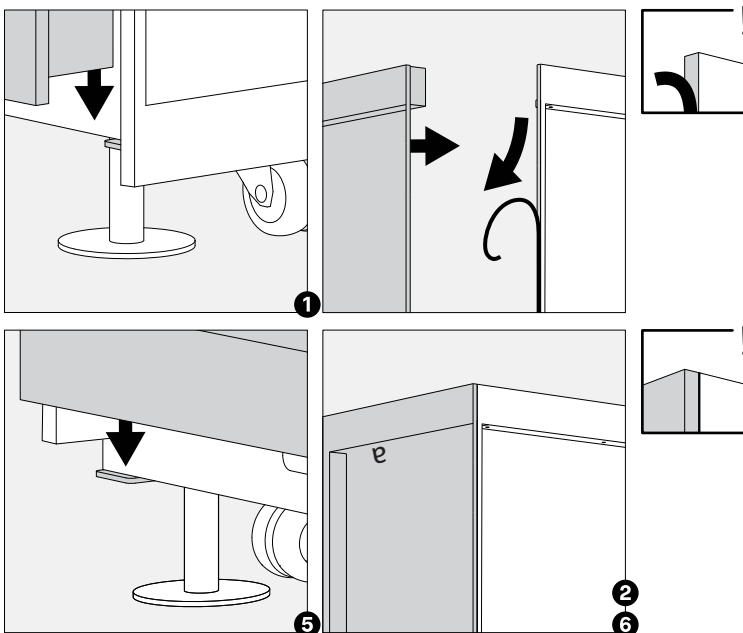


Check if the door closes properly and adjust the door plates if needed.

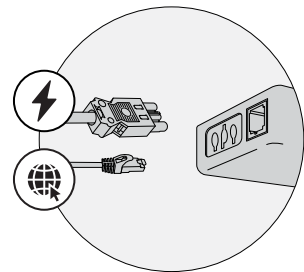
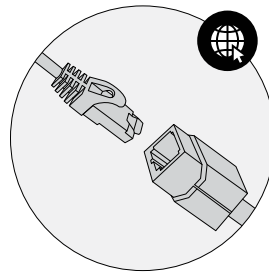
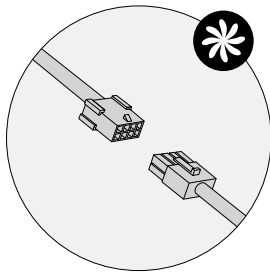
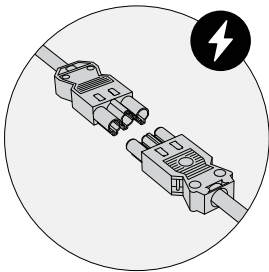
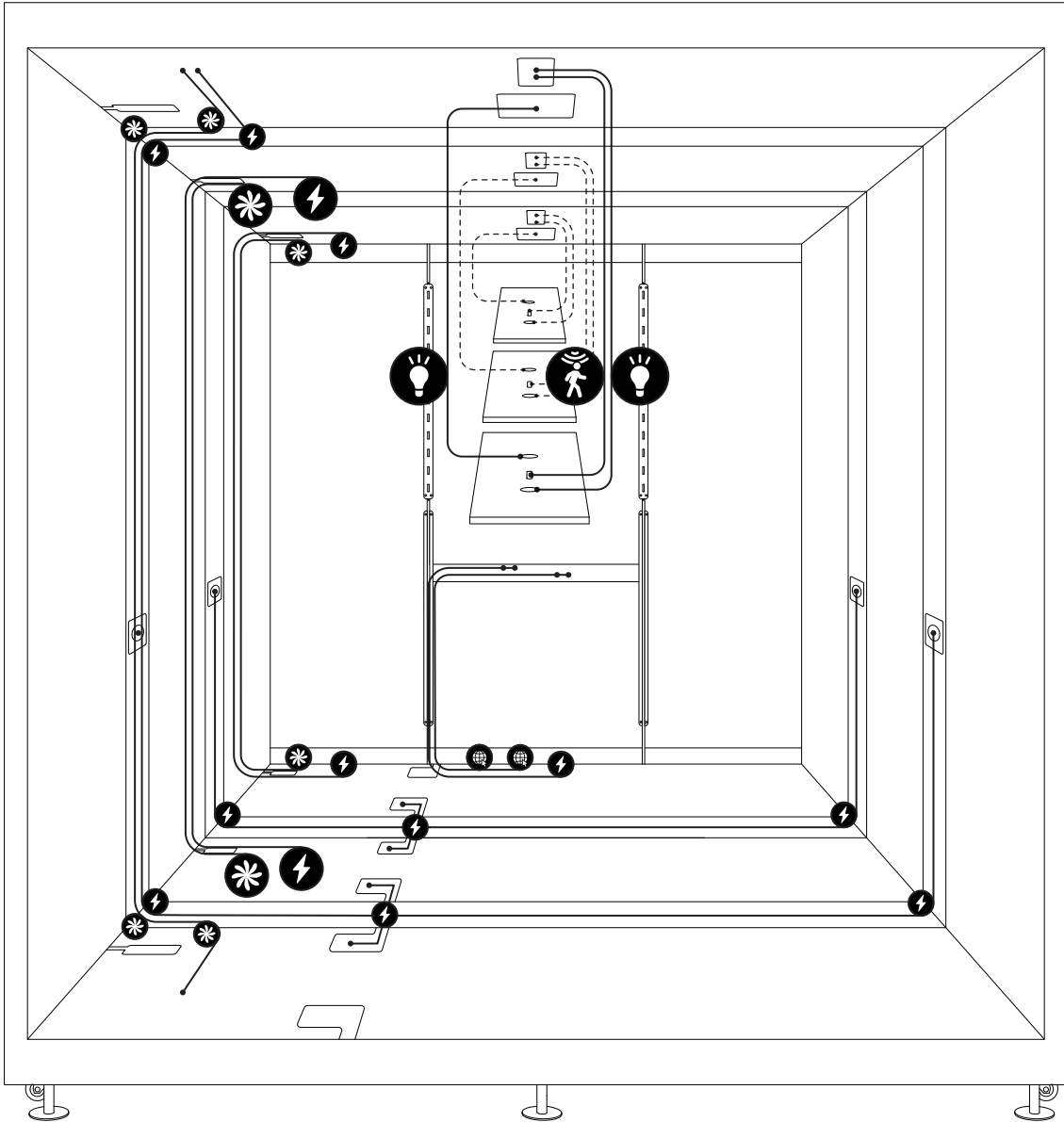
Tighten or loosen the plates when needed.



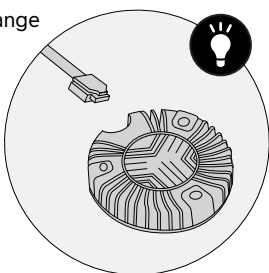
**T-Handle Hex Key 7  
Suction cup handles**



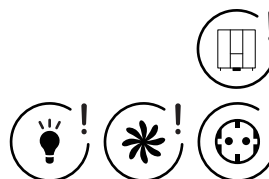
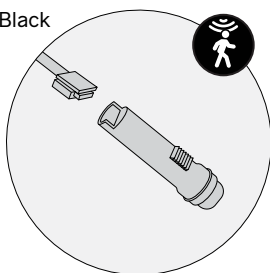
**3 4 7 8 Inside**



Orange

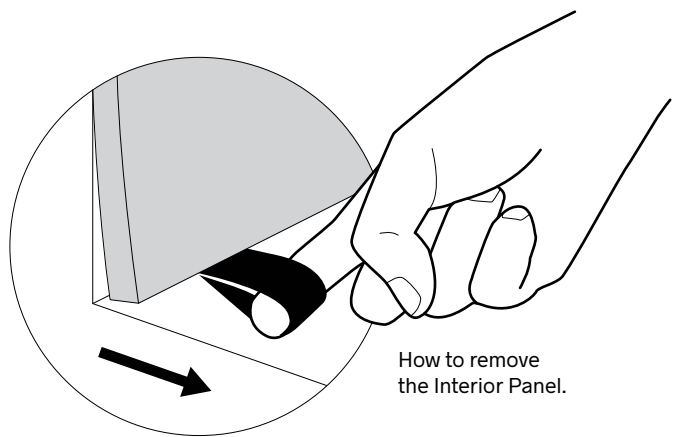
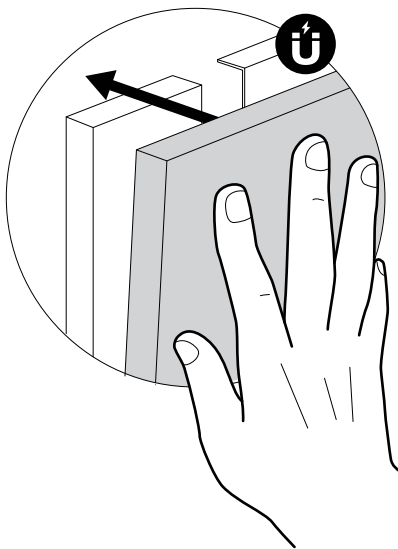
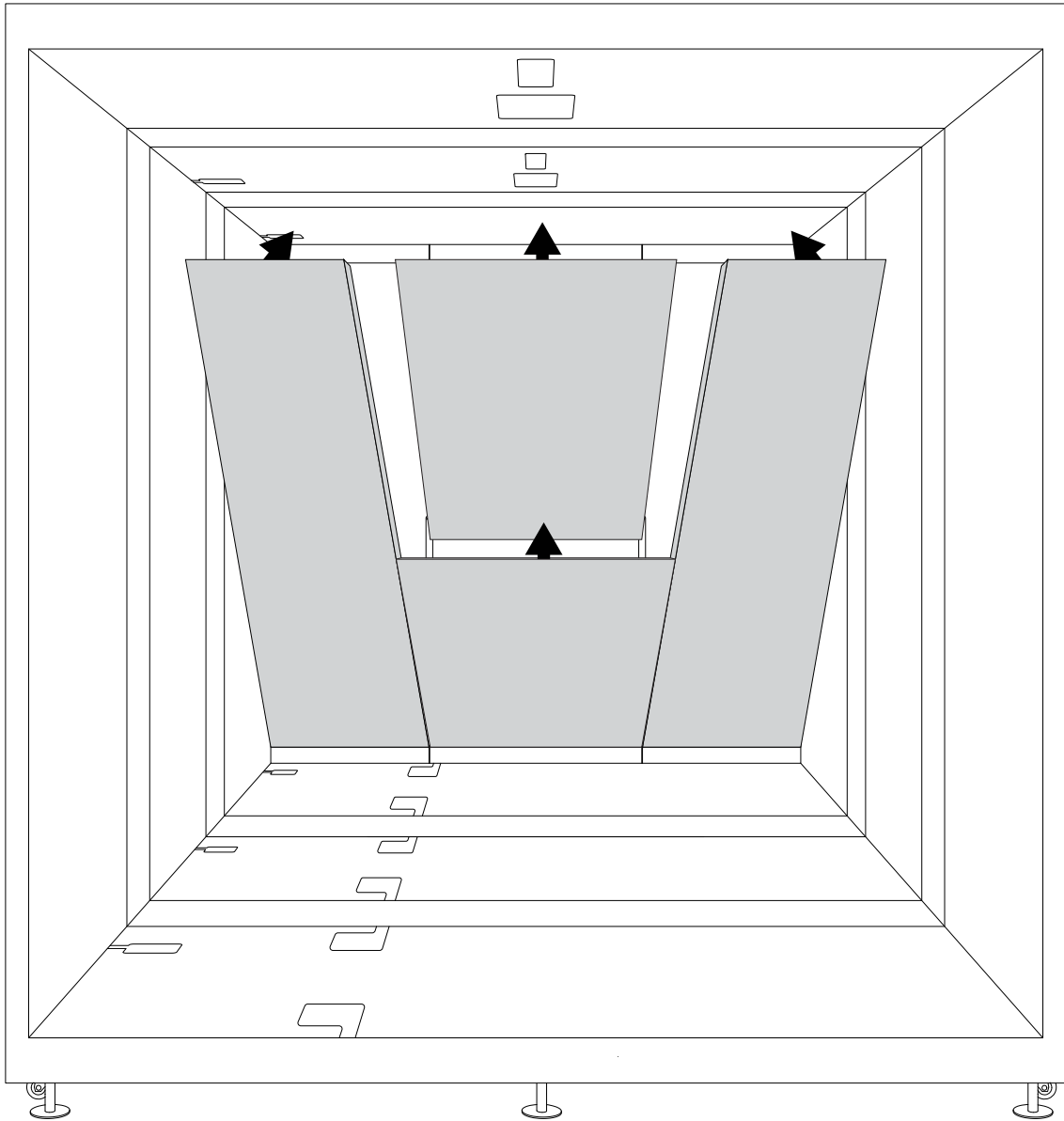


Black



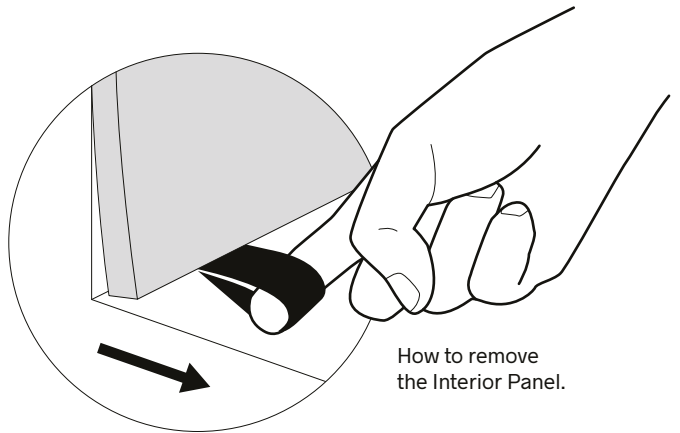
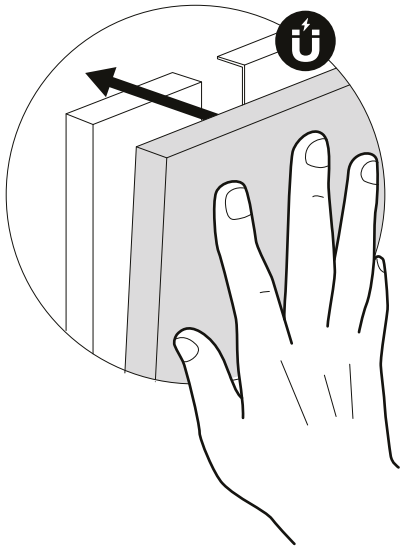
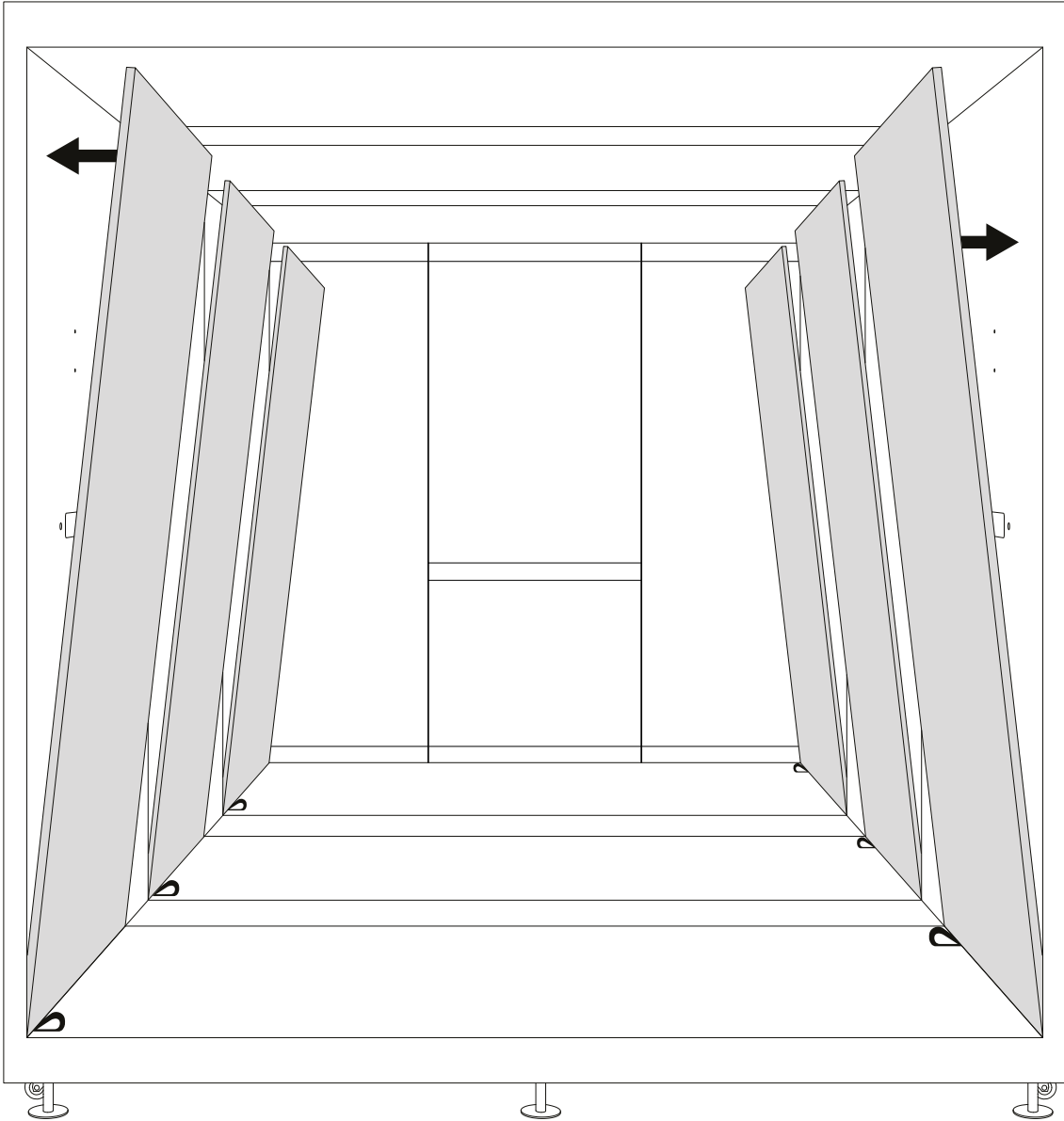
Main Power & Ethernet supply at the back of the pod.

Check if the lighting, ventilation and power sockets are connected properly.

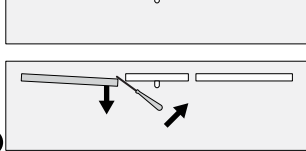
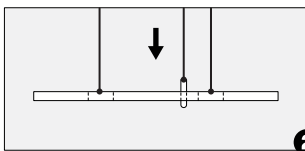
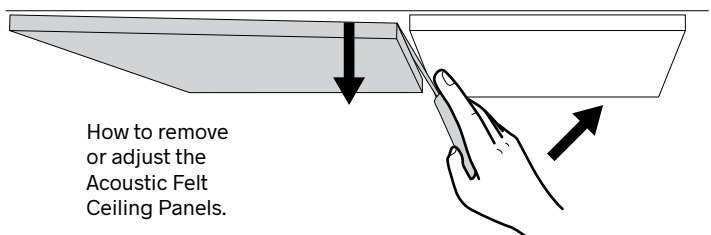
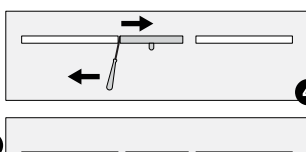
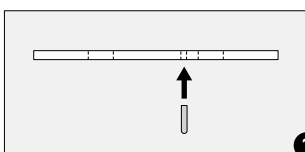
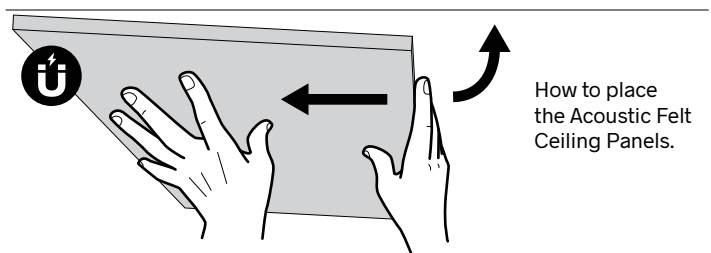
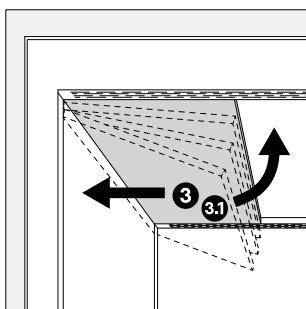
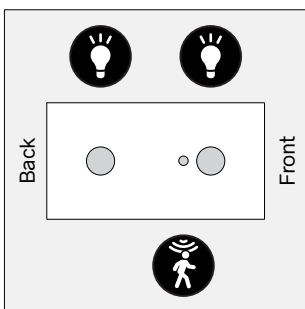
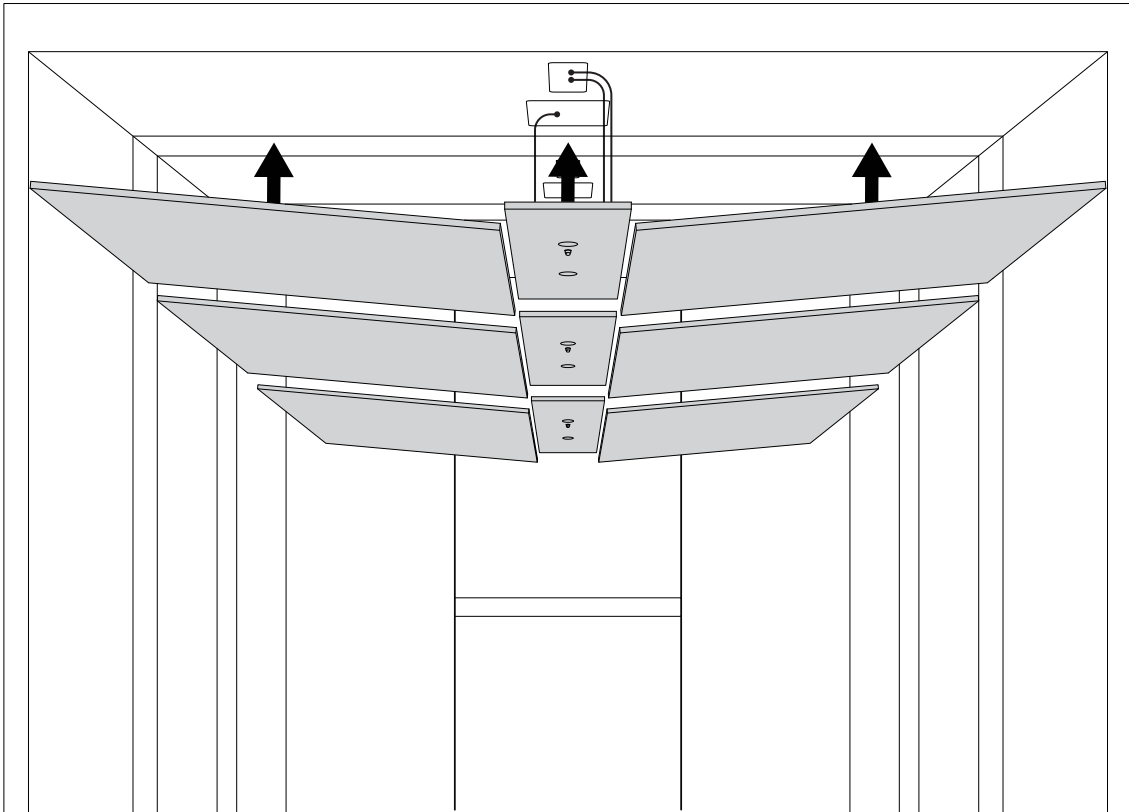


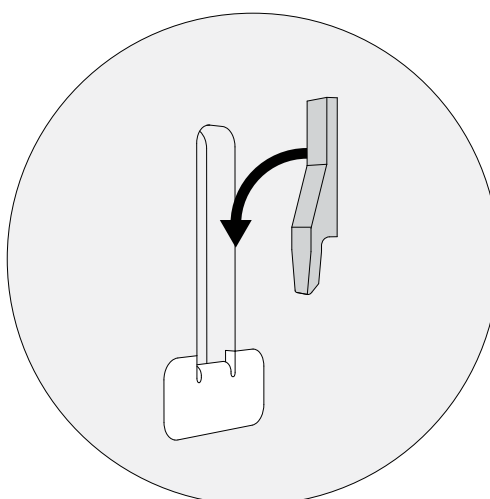
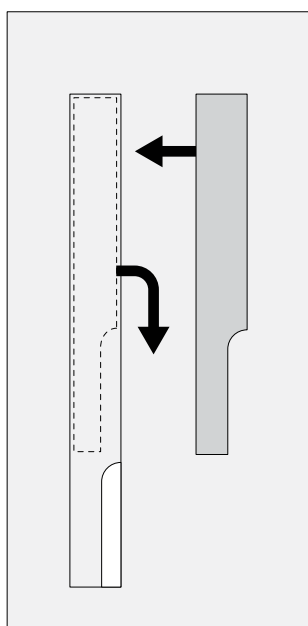
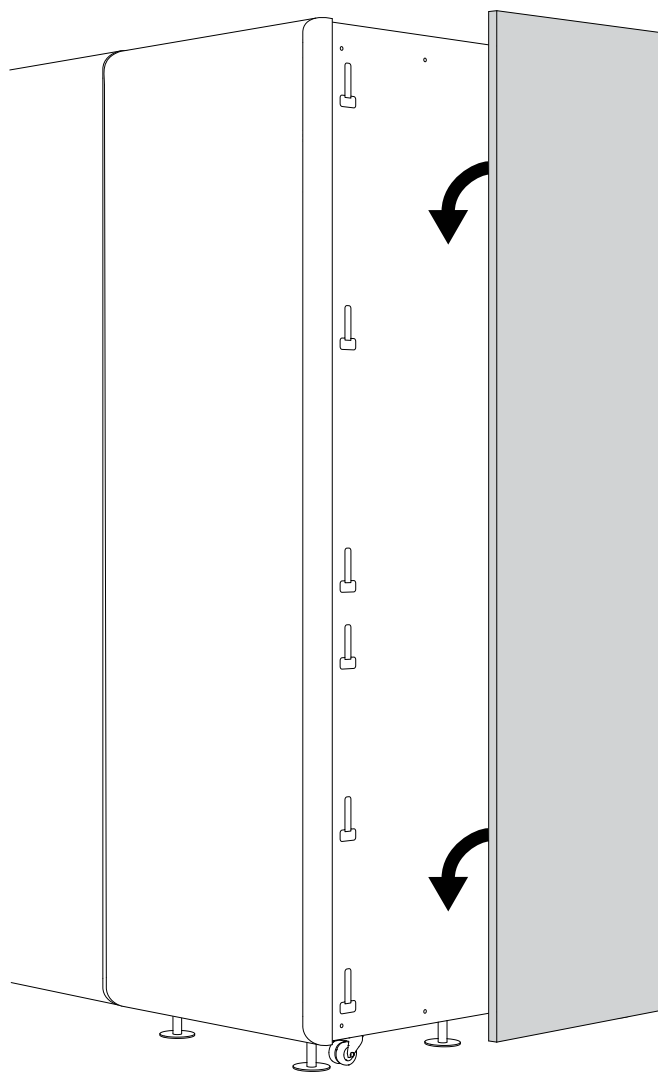
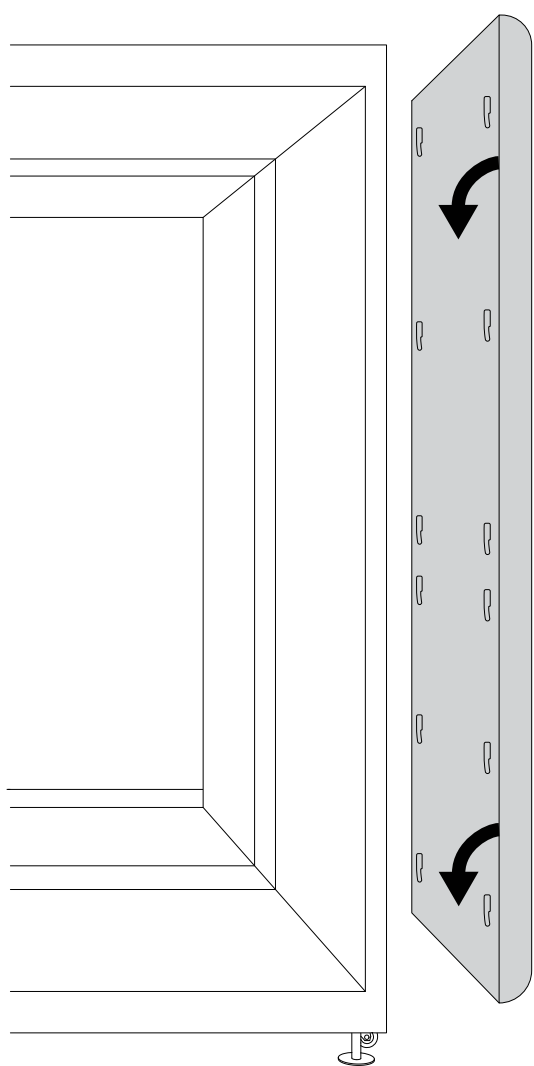
How to remove the Interior Panel.

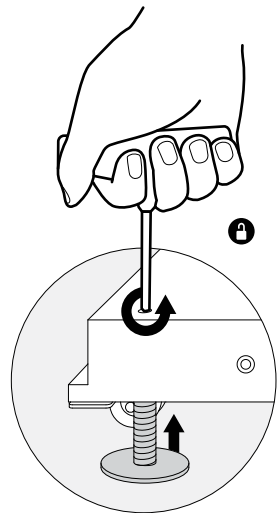
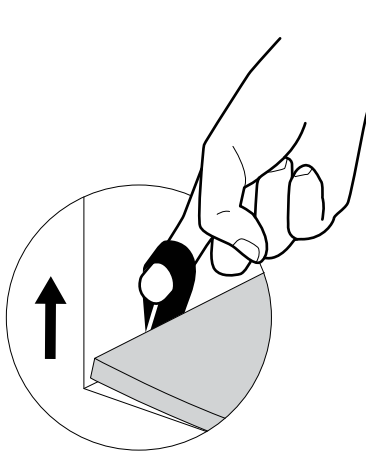
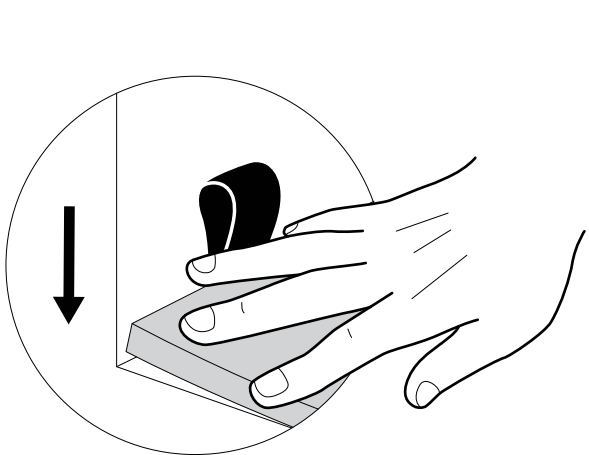
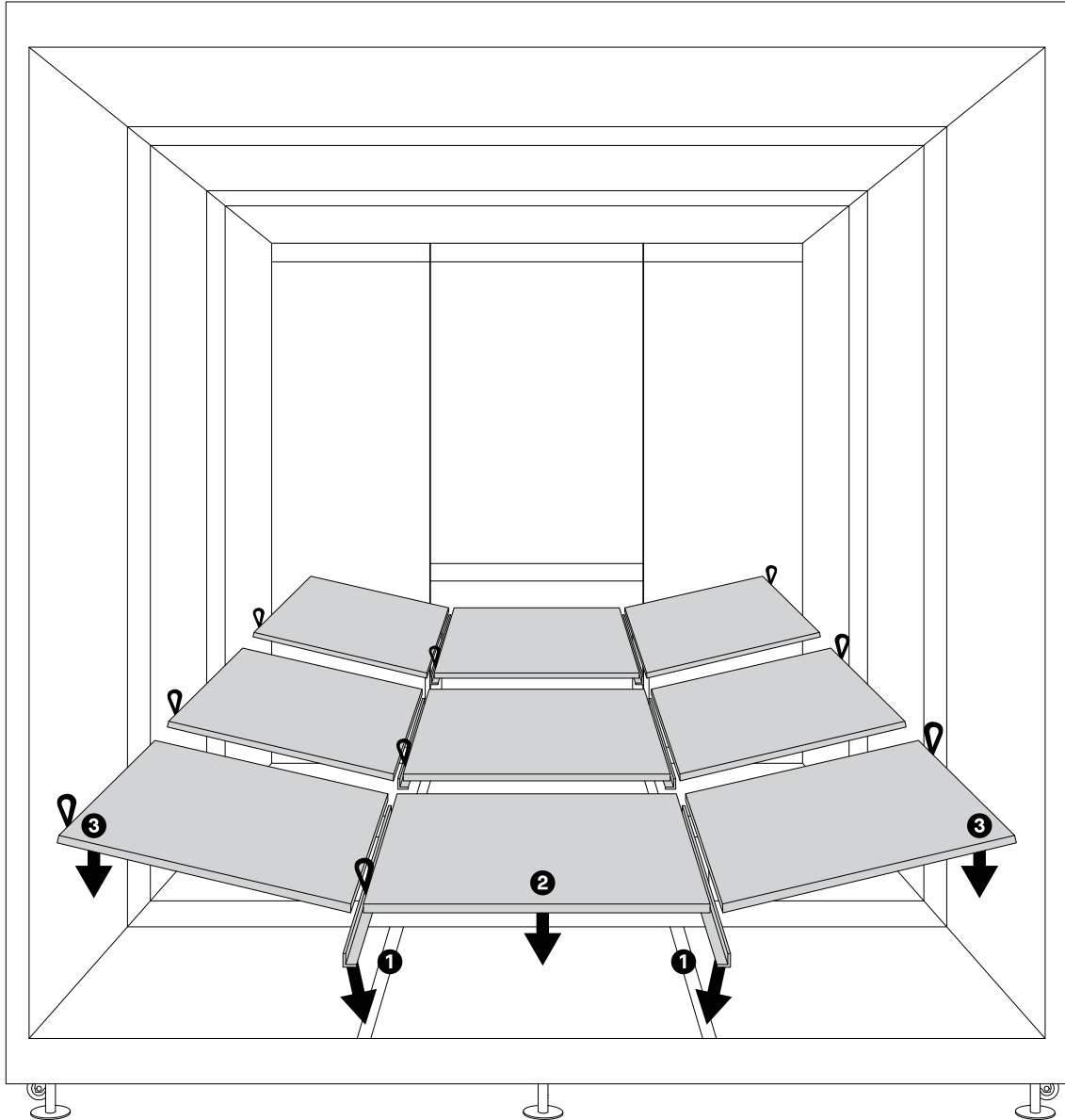




How to remove the Interior Panel.





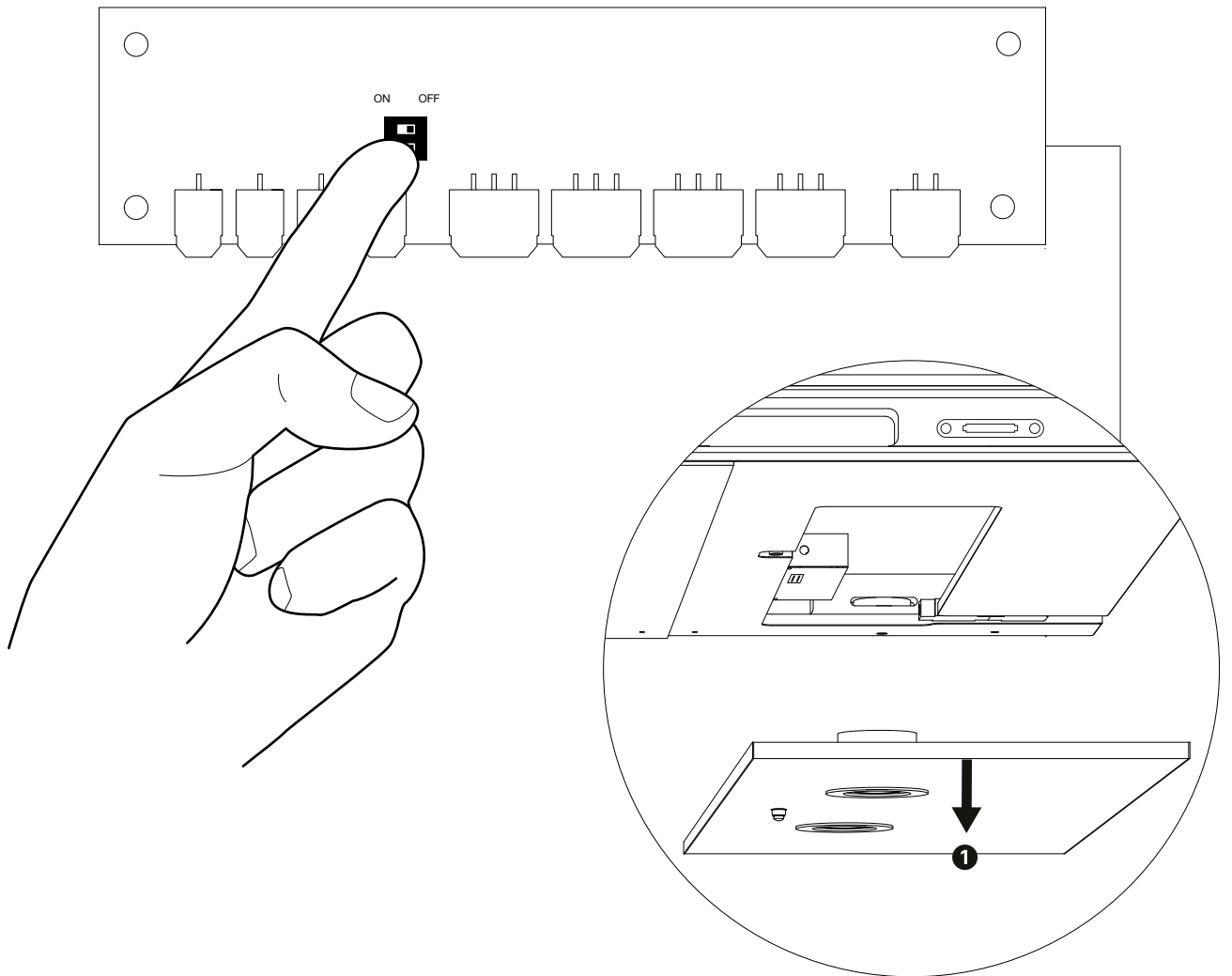


If you are satisfied with the pod's position, you can place the carpets.

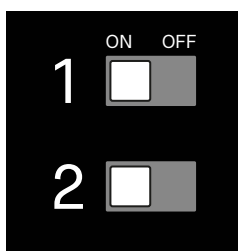


If you want to reposition the pod, you have to remove the carpet, if needed, and unlock the legs. When you are satisfied with the pod's position, lock the legs and place the carpets.

# Adjustable FAN and LED



## FAN



100%

OFF

OFF

80%

OFF

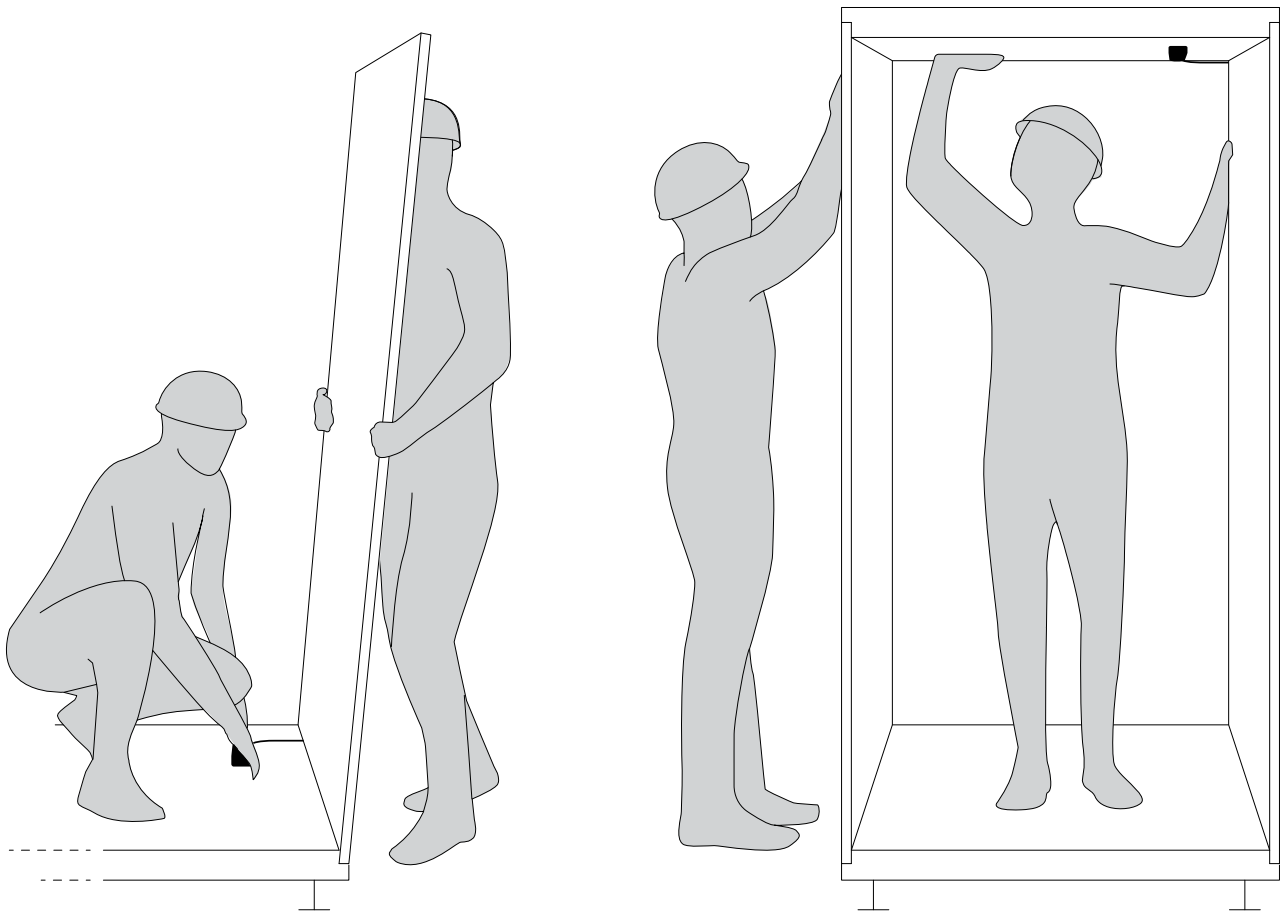
ON

60%

ON

ON

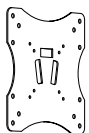
# Scan



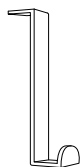
You can watch an instructional video of the K4 assembly process. Thanks to the modular design and limited number of components used for each pod, many steps are similar between different Kameleon pods.



# Optional



VESA Adapter



Coat Hanger



Exterior Hanging  
Whiteboard or Pinboard



Interior Hanging  
Whiteboard or Pinboard



There are multiple features that you can personalize your pod with. You can view them for each Kameleon on our website [www.askiafurniture.ro](http://www.askiafurniture.ro)

**ASKIA**

Eliade Tower,  
Mircea Eliade No.18  
RO-Bucharest, 012015

T +40 212 121 381  
[contact@askiafurniture.ro](mailto:contact@askiafurniture.ro)

**[www.askiafurniture.ro](http://www.askiafurniture.ro)**  
Last update: 06.02.2023