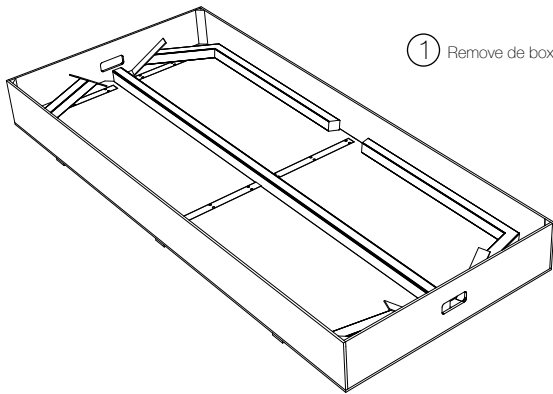
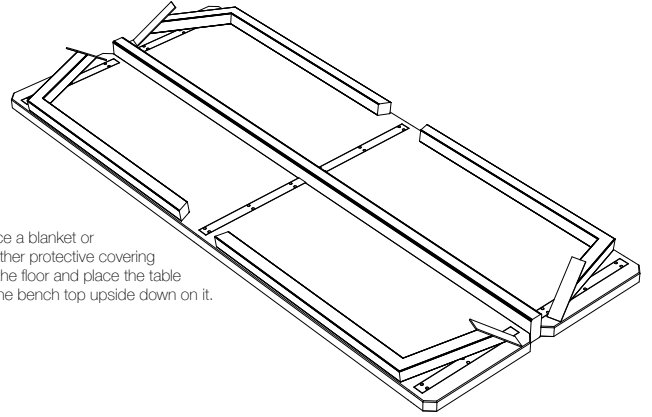


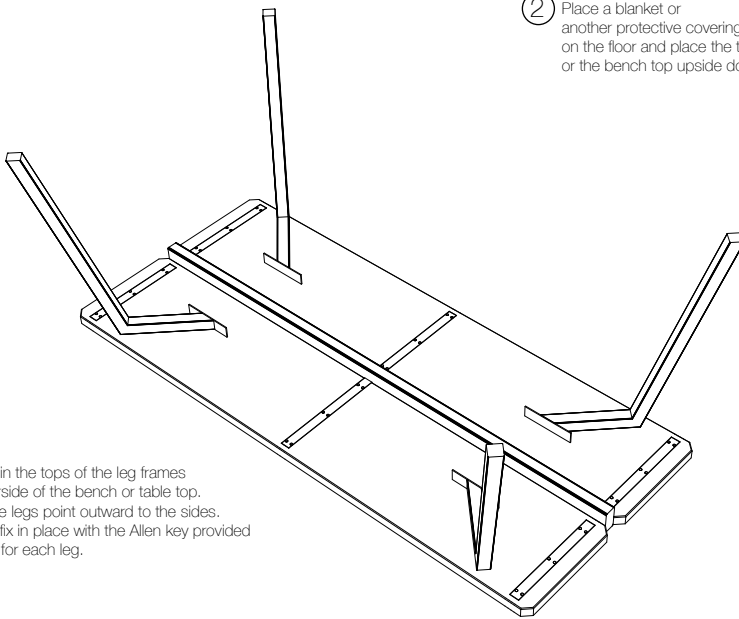
Assembly instructions MY WAY Table & Bench



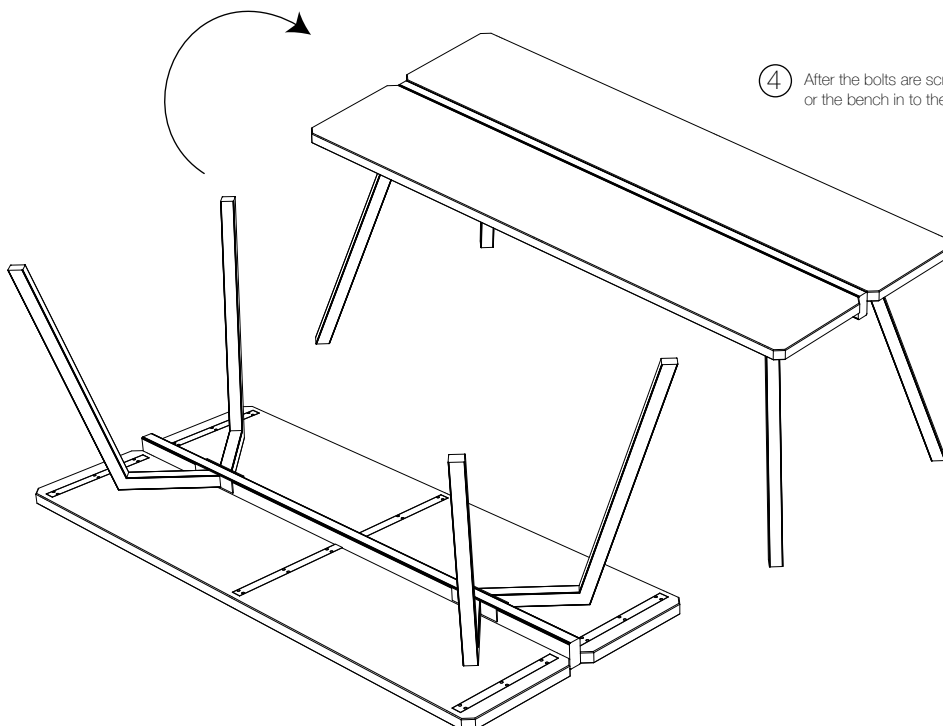
① Remove the box cover



② Place a blanket or another protective covering on the floor and place the table or the bench top upside down on it.



③ Line up holes in the tops of the leg frames with the underside of the bench or table top. Ensure that the legs point outward to the sides. Once aligned fix in place with the Allen key provided the two bolts for each leg.



④ After the bolts are screwed tight flip the table or the bench in to the normal position.