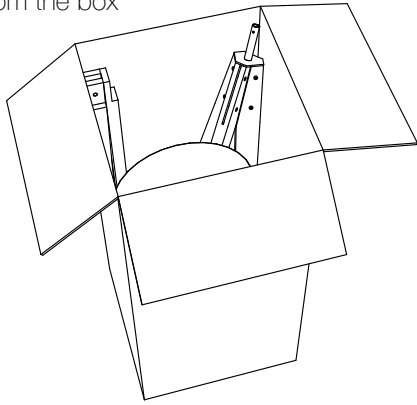
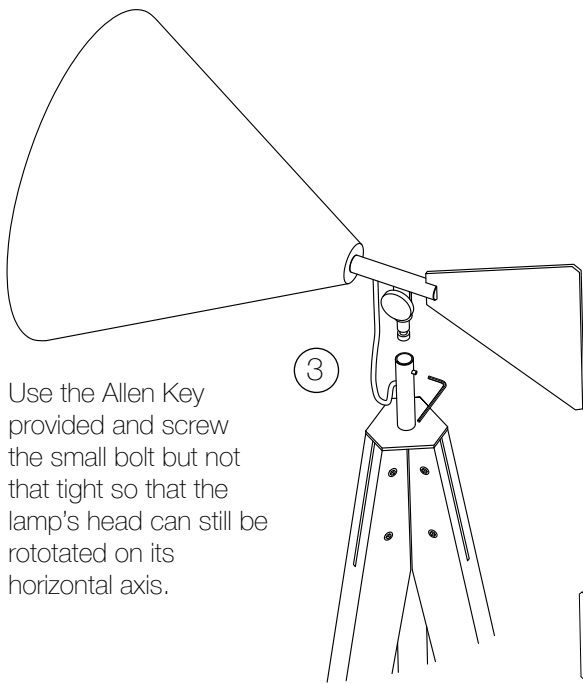
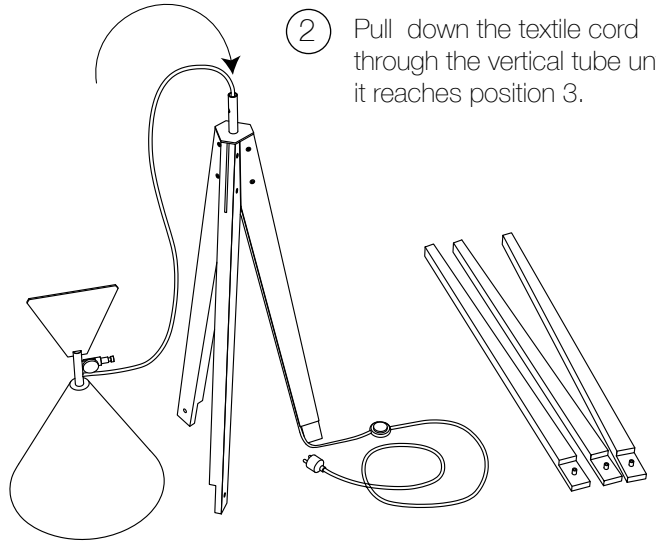


# Assembly instructions LIGHT TALE

1 Take out all the components from the box

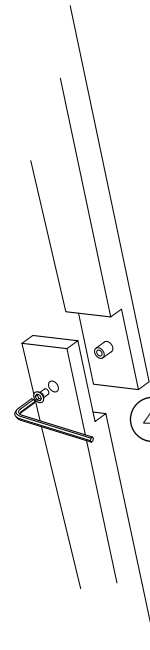


2 Pull down the textile cord through the vertical tube until it reaches position 3.



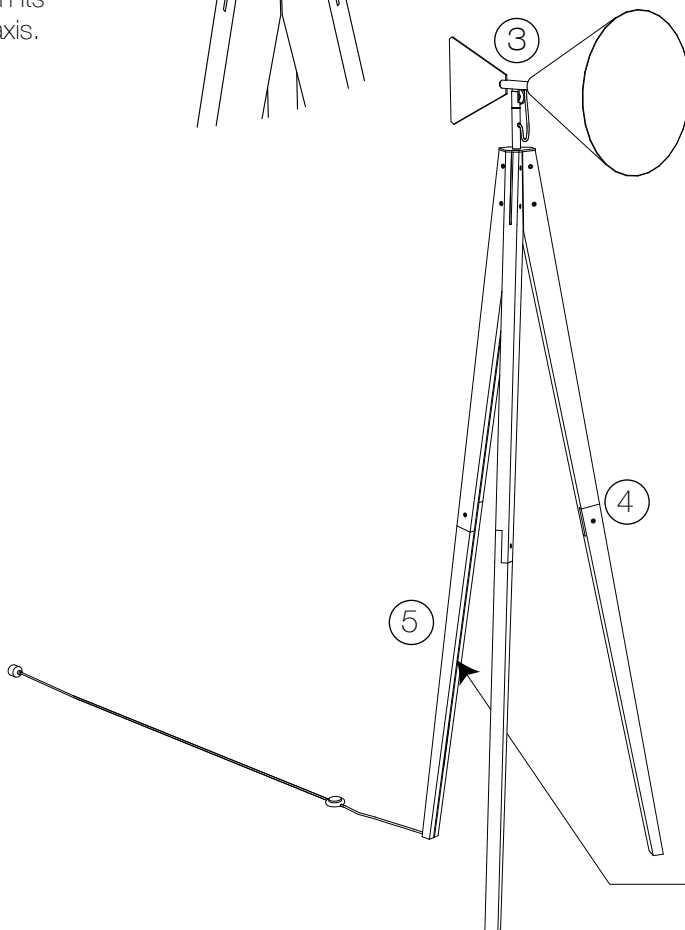
3 Use the Allen Key provided and screw the small bolt but not that tight so that the lamp's head can still be rotated on its horizontal axis.

3



4 Use the bigger Allen key for screwing the legs bolts.

4



5 Insert the textile cable into the slot found in one of the three wooden legs.

5