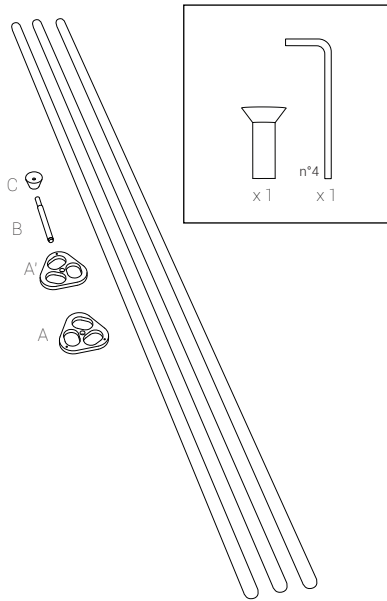


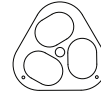
Assembly instructions KODAMA Coat Rack

- ① Remove the box cover

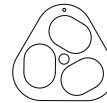


- ② Put the B piece in the A piece and screw it. After put the A' piece.

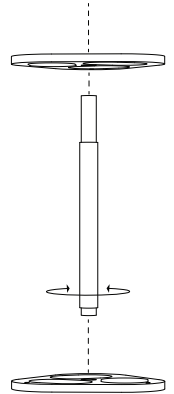
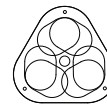
Make sure that the A piece is with the point up



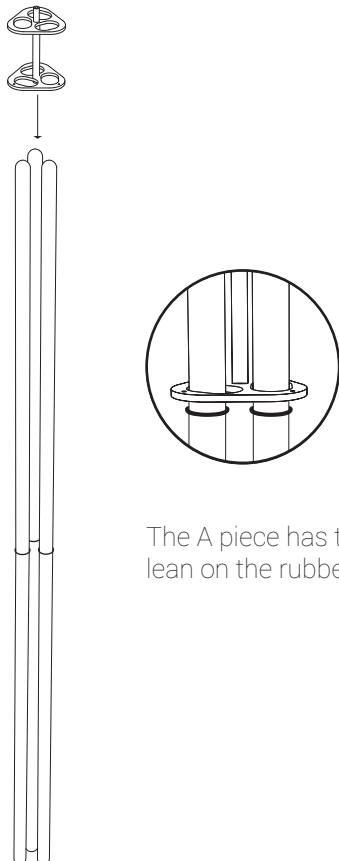
The A' is with one point up.



After you overlap the A and A' piece the top view has to be like in the drawing below.

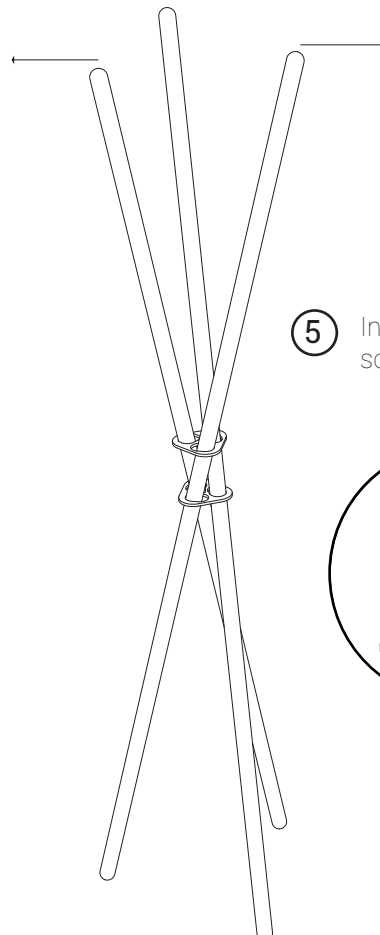


- ③ After you have the A, A' and B together slide them from the top of the three legs.



The A piece has to stay lean on the rubber.

- ④ Pull two of the legs in two direction and after the third one.



- ⑤ Insert the C piece and screw it with the allen key.

