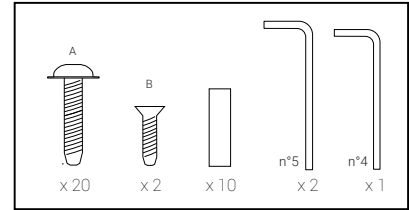
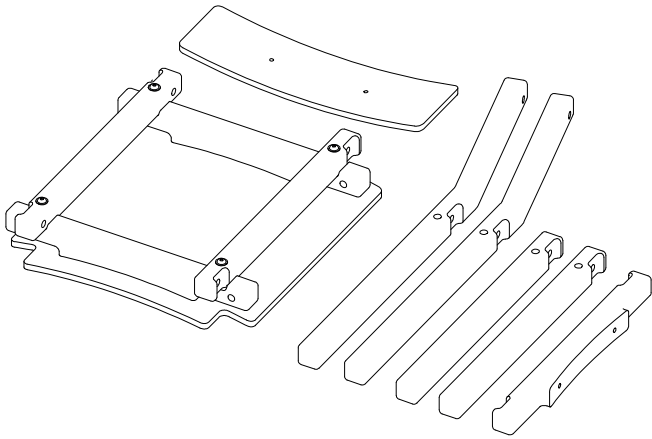
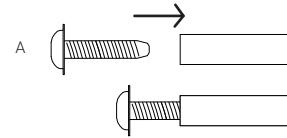


Assembly instructions FAIR & SQUARE Chair

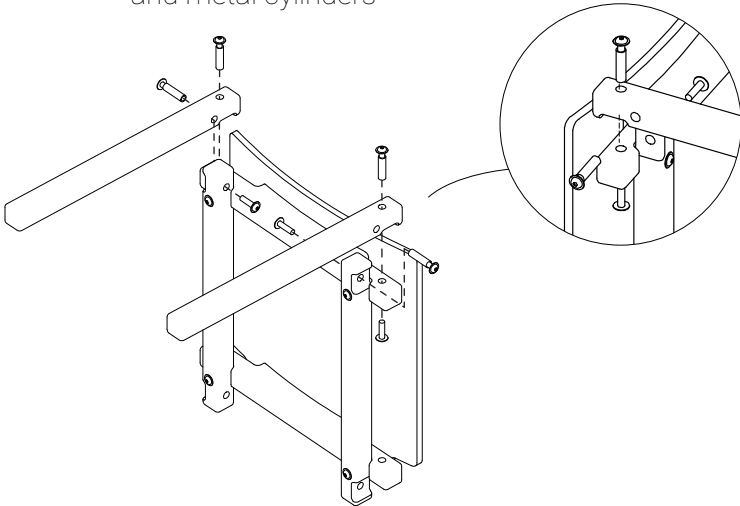
① Remove the box cover



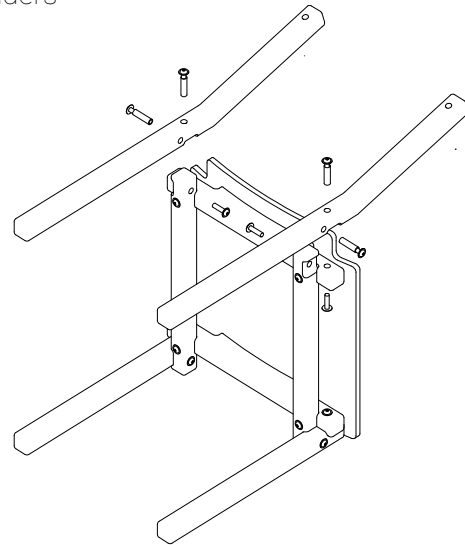
② Insert an A screw in each 10 metal cylinder from 1 cm



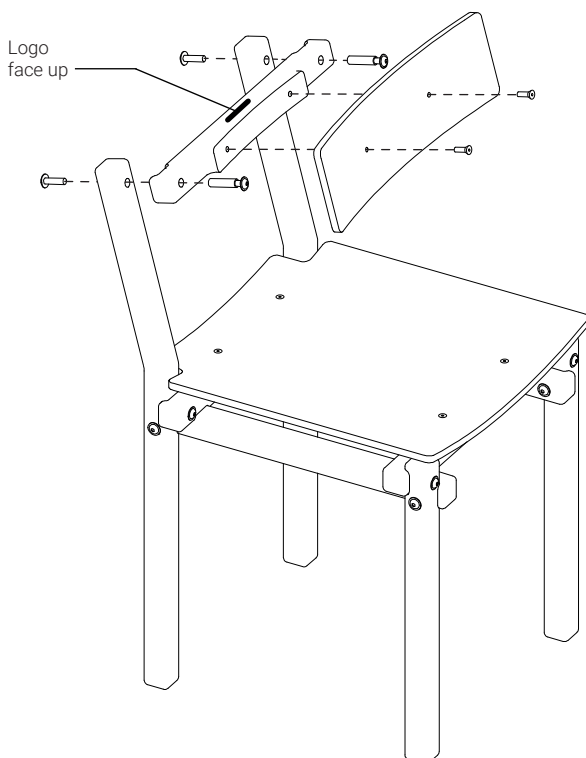
② Screw the 2 front legs with A screw and metal cylinders



③ Screw the 2 back legs with A screw and metal cylinders



④ Attached the back with the two B screw and the n°4 allen key



⑤ Tight all the screw the with n°5 allen key

