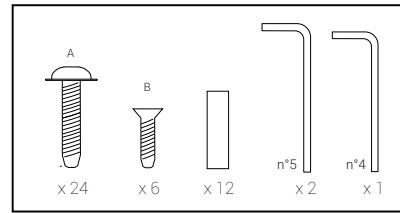
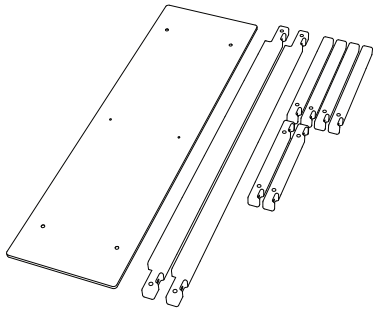
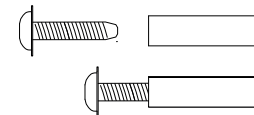


# Assembly instructions FAIR & SQUARE Bench

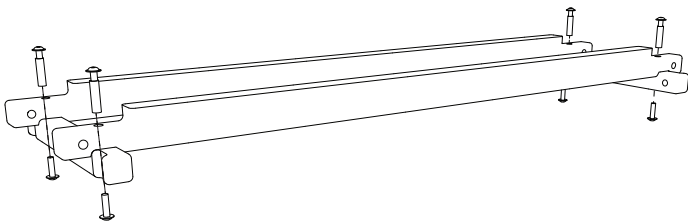
① Remove the box cover



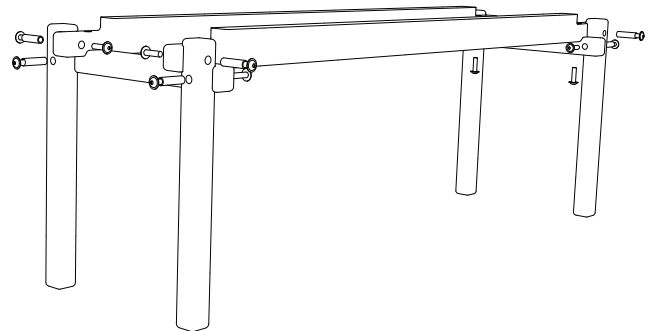
② Insert an A screw in each 12 metal cylinder from 1 cm



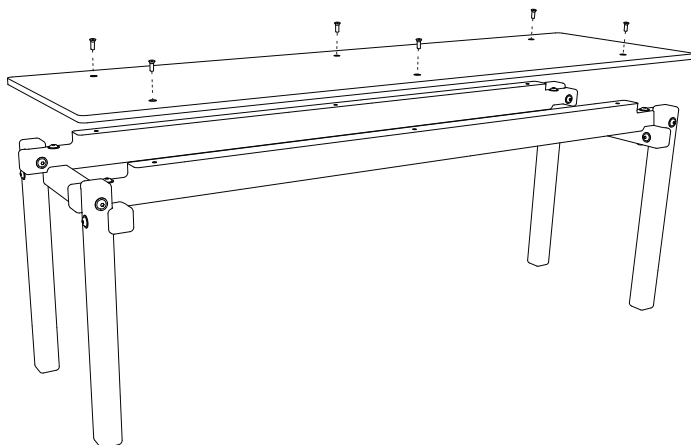
② Screw the 2 front rails with A screws and metal cylinders



③ Screw the legs with A screws and metal cylinders



④ Attached the seat with the six B screws and the n°4 allen key



⑤ Tight all the screw with n°5 allen key

