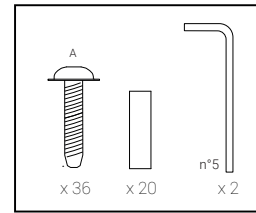
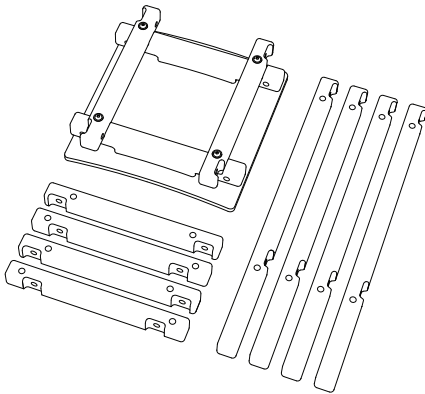


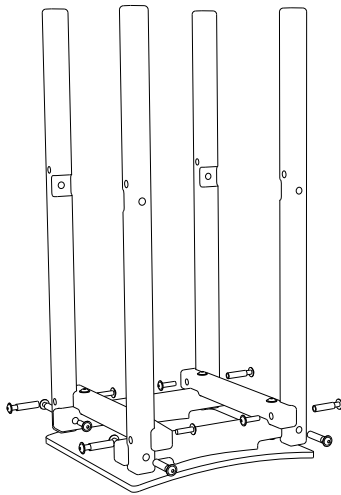
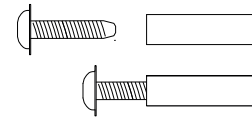
Assembly instructions FAIR & SQUARE Bar Stool

- ① Remove the box cover



- ② Insert an A screw in each 12 metal cylinder from 1 cm

- ② Screw the legs with A screws and metal cylinders



- ③ Screw the rails with A screws and metal cylinders

- ⑤ Tight all the screws with n°5 allen key

