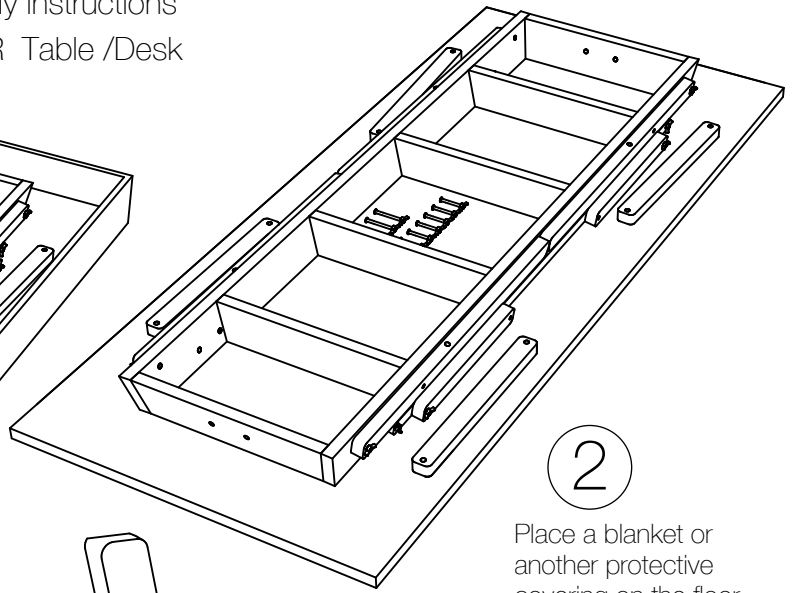
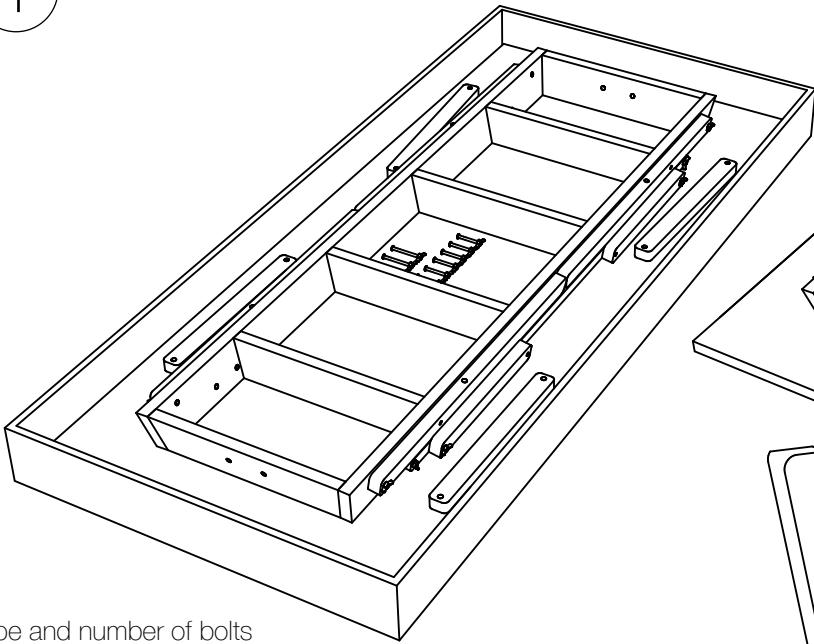


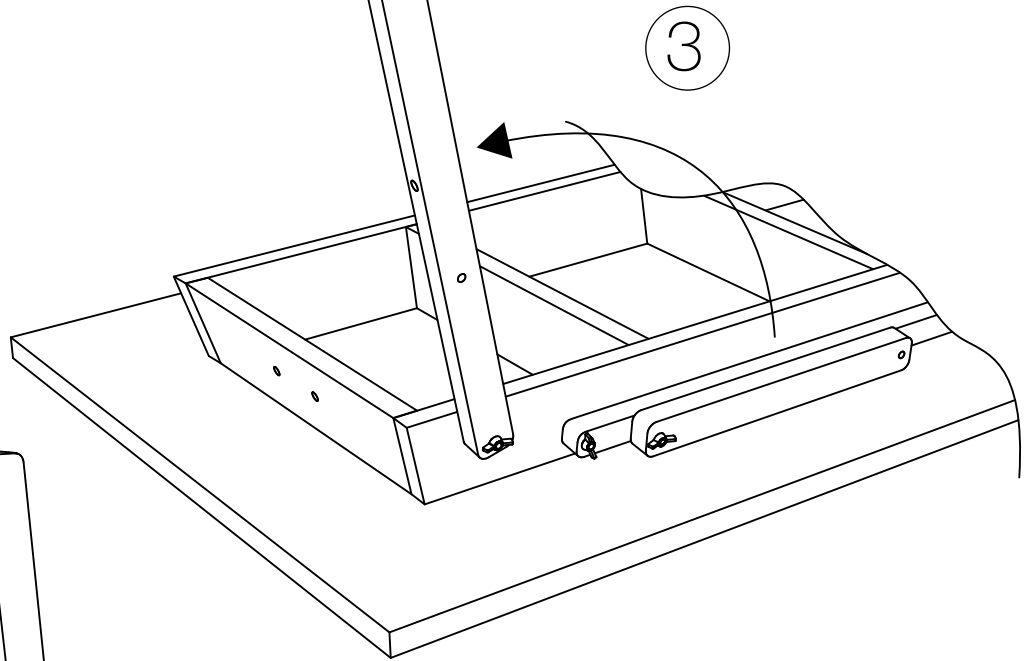
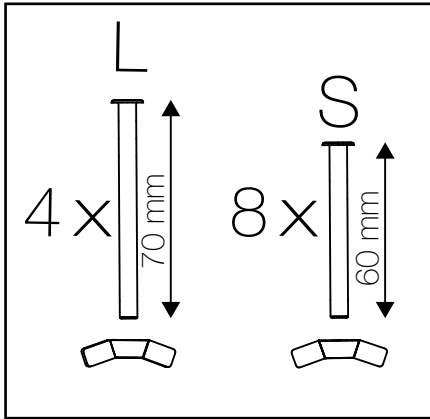
Assembly instructions
ATELIER Table /Desk

1 Remove the box cover

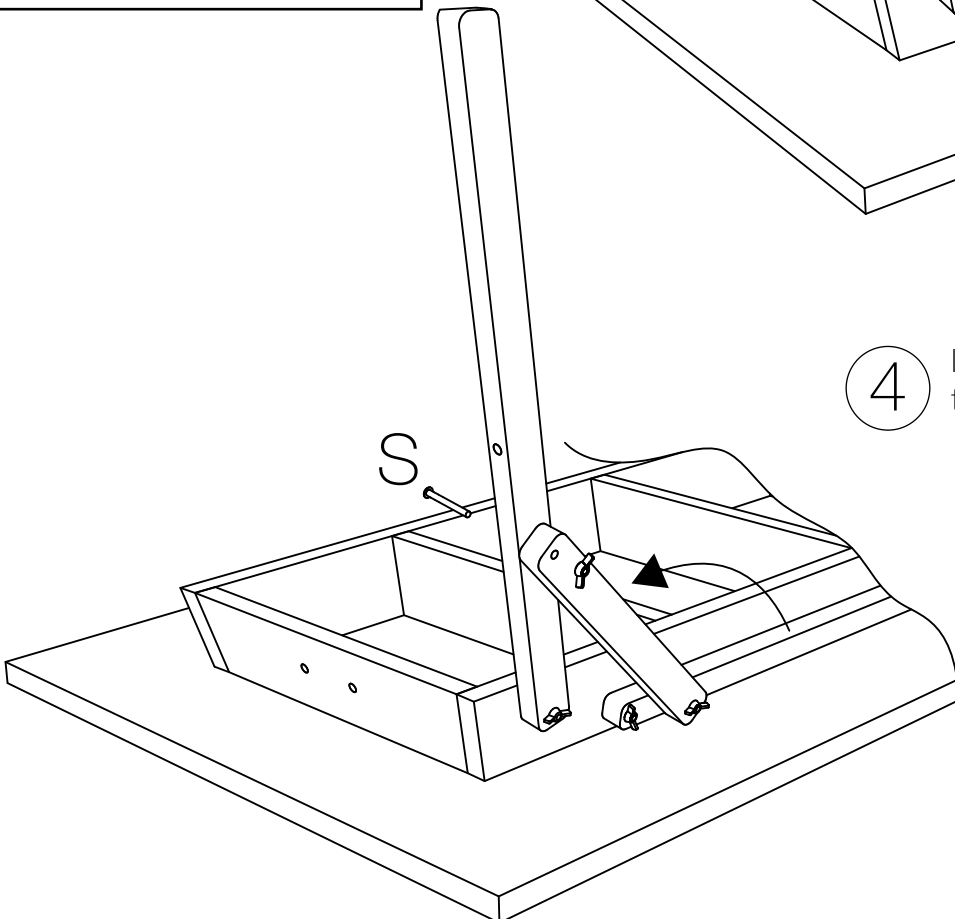


2 Place a blanket or another protective covering on the floor and place the table or the bench top upside down on it

Type and number of bolts and butterfly nuts contained in the box .

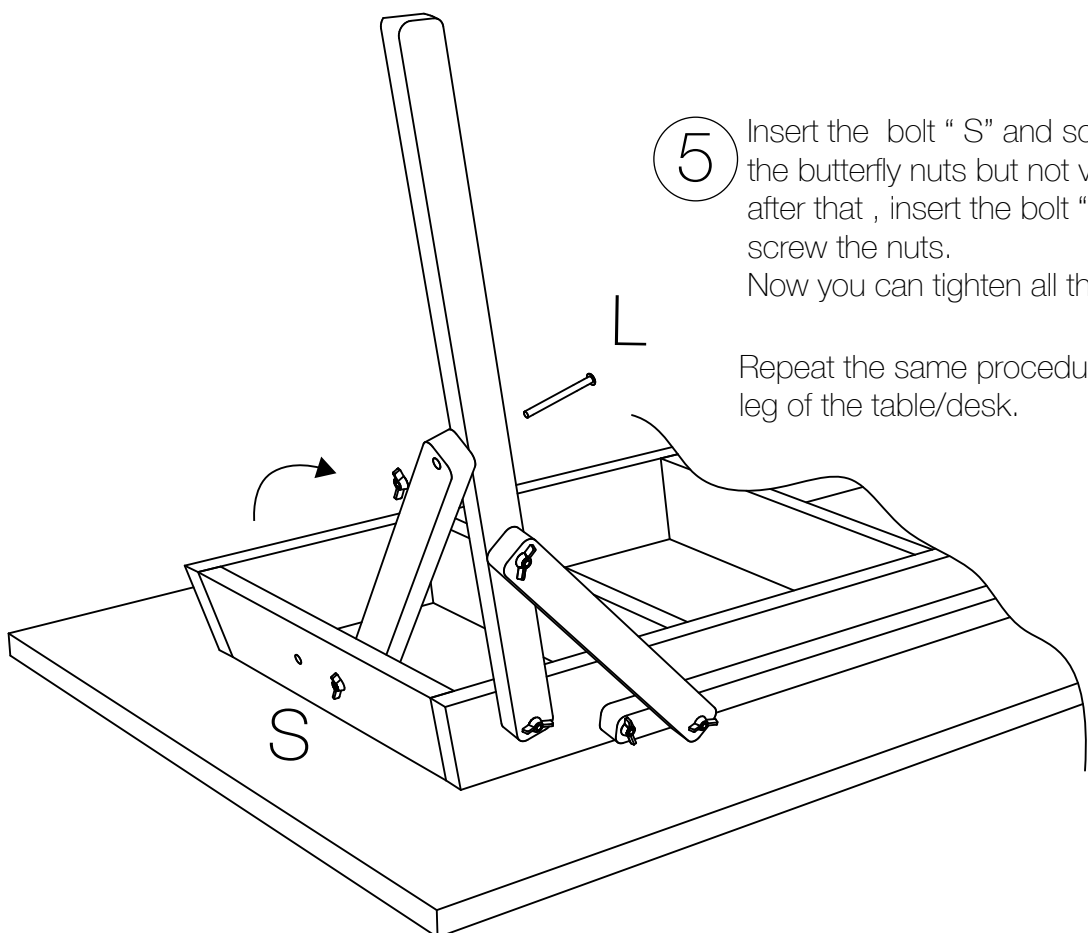


4 Insert the bolt " S" and screw the butterfly nuts but not very tight.



5 Insert the bolt "S" and screw the butterfly nuts but not very tight. after that , insert the bolt "L" and screw the nuts. Now you can tighten all the nuts.

Repeat the same procedure for each leg of the table/desk.



6 After the bolts are screwed tight, flip the table or the desk in to the normal position.

