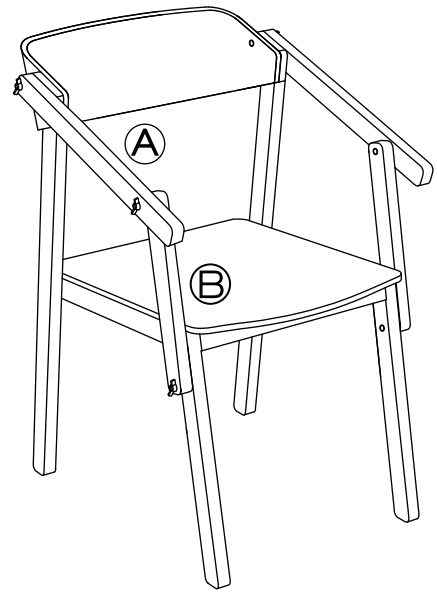
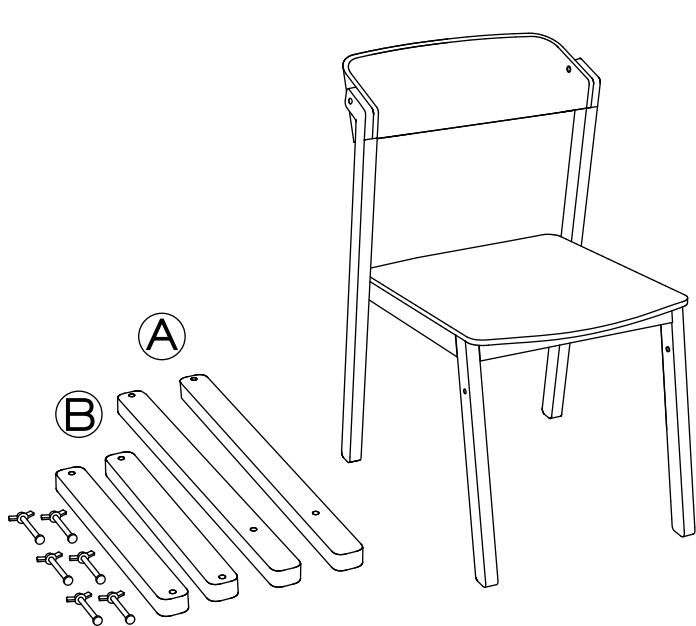
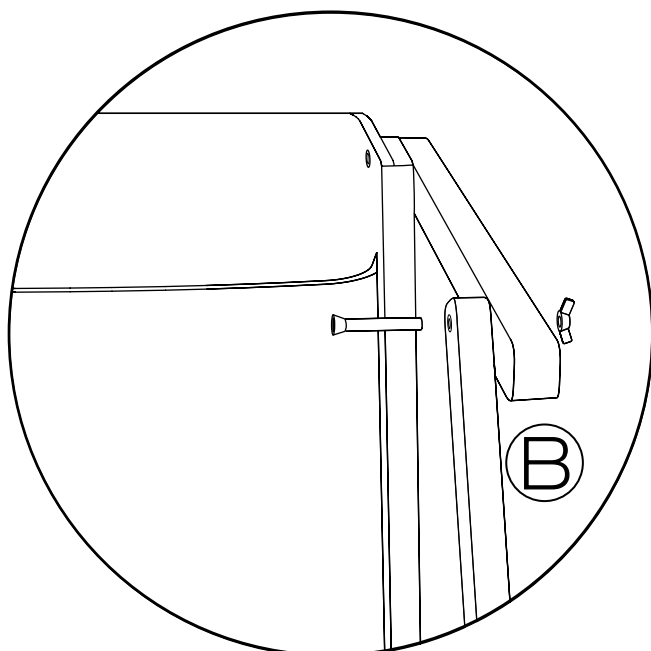
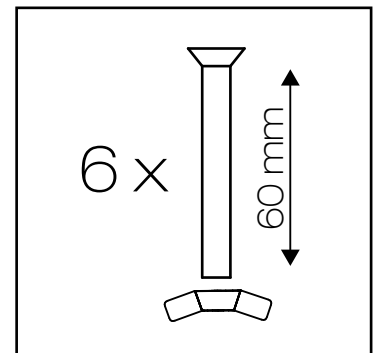
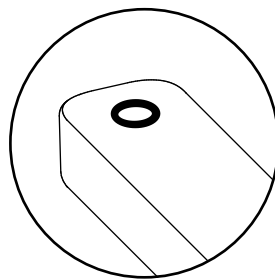
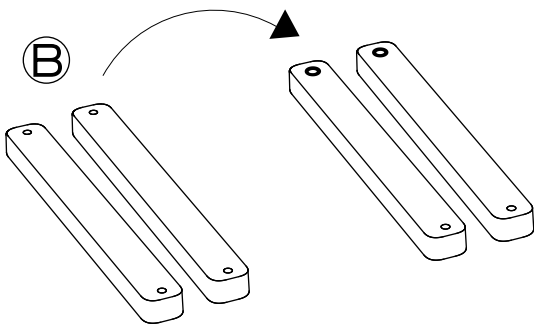


Assembly instructions  
ATELIER Arm chair

1 Remove the box cover



Type and number of bolts and butterfly nuts contained in the box .



2

Take the B part of the arm and attach it to the seat by positioning the lateral hole which is bigger towards the interior.

Insert the bolt and screw the butterfly nuts but not very tight.

Repeat the same procedure for each arm of the chair.